

TOTO

FLUSH VALVE

Urinal Sensor

DUE114UE



FEATURES

- In-wall resin panels.
- Touchless sensing operation.
- AC and DC two types available.

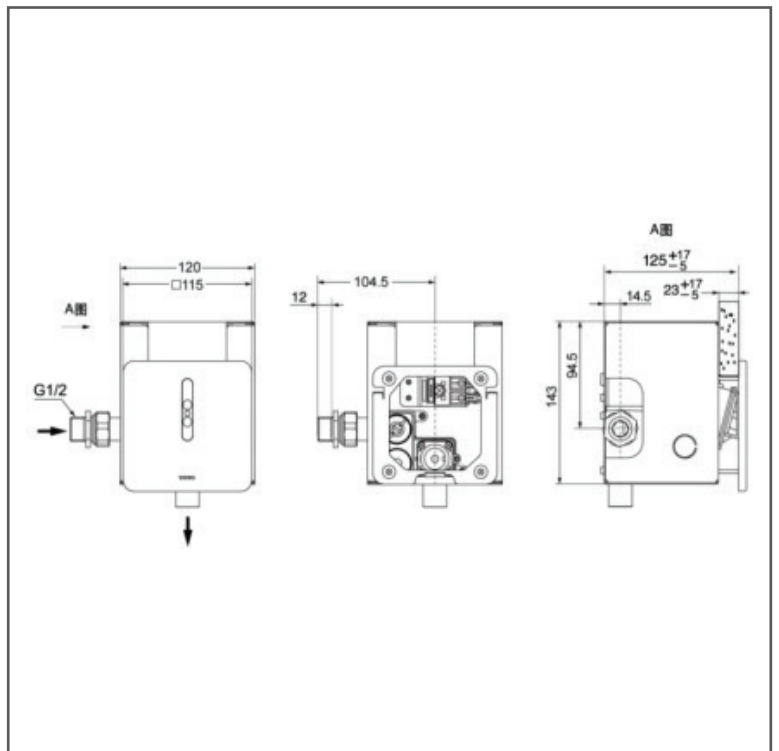
SPECIFICATIONS

- Water Use : 1.2~1.9L
- Water Pressure : 0.25MPa~0.75MPa
- Size : 120W x 17D X 143H mm

PARTS DESCRIPTION

- DUE114UE : Urinal Sensor, Flush Valve (AC-220v, Metal Cover)

DUE114UE



Please consult, TOTO representative for more details.

All rights reserved by TOTO including but not limited to Improve & Change of Product Design, Specs or Availability at any time without prior notice