

# TOTO Toilet

AVANTE Wall Hung Toilet

CW812RA#W/TC385VS#W



## FEATURES

- TORNADO FLUSH for powerful flushing effect with less amount of water
- CEFIONTECT Technology: super smooth, ion barrier glazing for a clean toilet bowl
- Sleek skirted design with concealed trapway for easy cleaning
- WATER SAVING structure
- RIMLESS DESIGN bowl ensures easy cleaning and ultimate hygiene

## SPECIFICATIONS

- Flush System : TORNADO FLUSH
- Bowl Shape : Elongated
- Rough-In : 220m
- Size : 380W x 595D x 346H mm
- Water Use : 4.5/3L

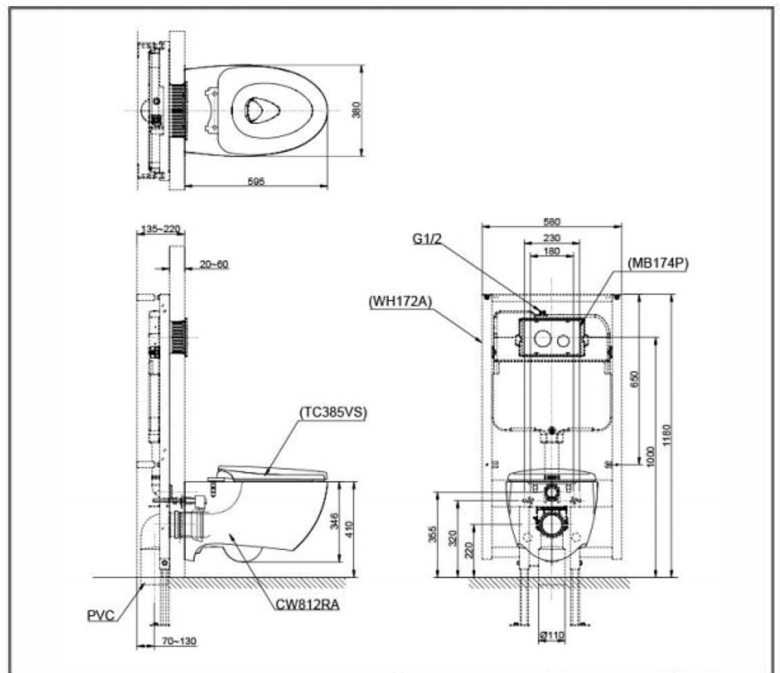
## PARTS DESCRIPTION

- CW812RA#W : Elongated Wall Hung Closet Bowl
- TC385VS#W : Duroplast Seat & Cover (Soft Close)
- TX215C : Slip in Connector

## COLOURS

White(#W)

CW812RA#W/TC385VS#W



Please consult, TOTO representative for more details.

All rights reserved by TOTO including but not limited to Improve & Change of Product Design, Specs or Availability at any time without prior notice