

TOTO ACCESSORIES

Paper Holder 2 Set

YH700AD



FEATURES

- Durable quality.

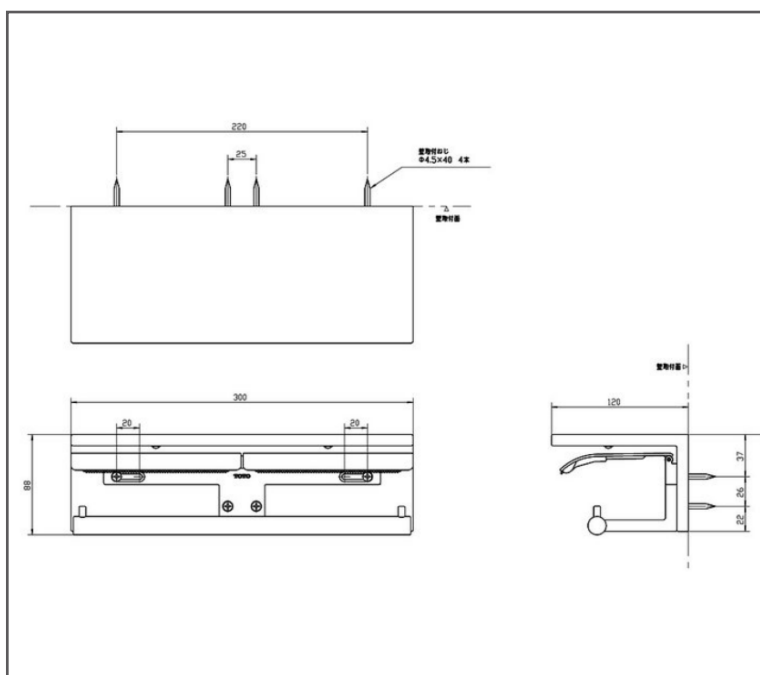
SPECIFICATIONS

- Size : 300W x 120D x 88H mm
- Finish : Brass Chrome

PARTS DESCRIPTION

- YH700AD : Paper Holder 2 Set

YH700AD



Please consult, TOTO representative for more details.

All rights reserved by TOTO including but not limited to Improve & Change of Product Design, Specs or Availability at any time without prior notice