

TOTO ACCESSORIES

Dustbin Box

YKB102



FEATURES

- Durable Quality

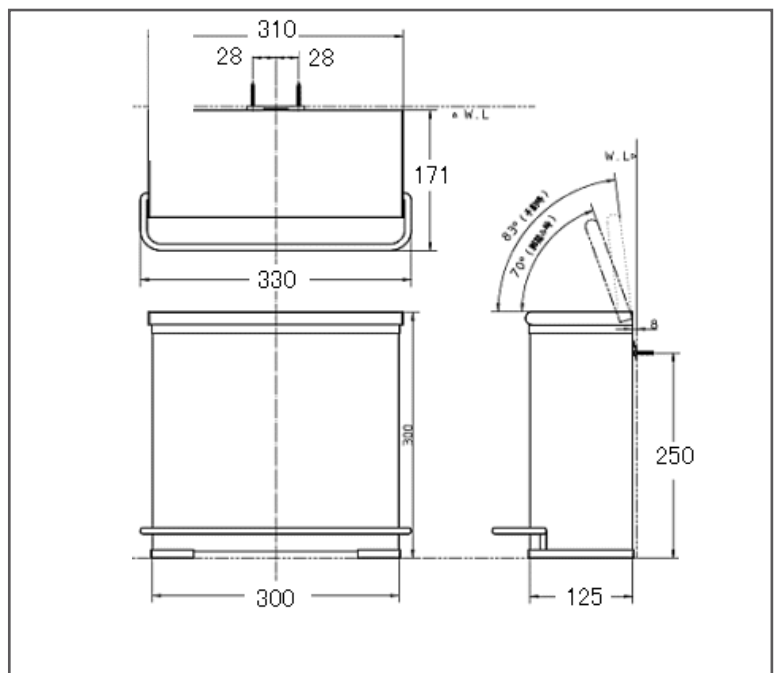
SPECIFICATIONS

- Size : 300W X 171D x 300H mm
- Material : Stainless Steel

PARTS DESCRIPTION

- YKB102 : Dustbin Box

YKB102



Please consult, TOTO representative for more details.

All rights reserved by TOTO including but not limited to Improve & Change of Product Design, Specs or Availability at any time without prior notice