

TOTO ACCESSORIES

Hand Rail

**T112C8V3#NW1/
T112C8V3#DB9/
T112C8V3#P7**







FEATURES

- Universal Design
- Safe & Easy to use, everyone, irrespective of difference in Age, Gender, Physical Condition & Knowledge

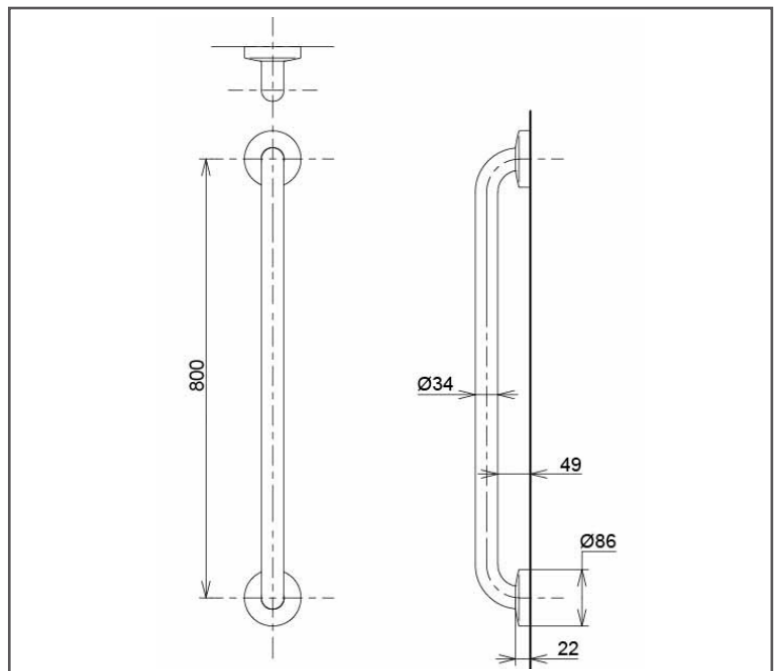
SPECIFICATIONS

- Size : T112C8 V3 - 800L mm
- Material : Stainless Steel
- Coating : Soft PVC

PARTS DESCRIPTION

- T112C8V3#NW1 : Hand Rail 
- T112C8V3#DB9 : Hand Rail 
- T112C8V3#P7 : Hand Rail 
- T110D3R (X2nos) : Support Fitting 

T112C8V3#NW1/ T112C8V3#DB9/ T112C8V3#P7



Please consult, TOTO representative for more details.

All rights reserved by TOTO including but not limited to Improve & Change of Product Design, Specs or Availability at any time without prior notice