

施工说明书

Instructions for construction

安装产品前请仔细阅读本施工说明书，并保留备用。
Before product installation, read these instructions for construction carefully and retain it for future reference.

TOTO

TOTO

OG5541Y
2022.04

目录

目 录

目 录	1
明细单	2
使用条件与施工上的注意	3
施工上的注意与保养	4
安装完成图	5~6
水嘴的安装	7~11
生产厂家与销售商	12

明细单

明细单

水嘴主体部	1套
固定花洒部	1个
连接弯管(含螺母)	1套
连接直管(含固定支架、手持花洒支架)	1套
固定支架接手	1套
偏心接脚	2个
装饰盖	3个
螺钉等附件	1套
施工说明书	1本
使用说明书	1本

使用此明细单的产品包括:



- TBW01301* 铜合金双柄双控淋浴柱·带固定花洒
(3段切换·单功能固定花洒)
- TBW01302* 铜合金双柄双控淋浴柱·带固定花洒
(2段切换·单功能固定花洒)
- TBW01303* 铜合金双柄双控淋浴柱·带固定花洒
(2段切换·多功能固定花洒)

使用条件与施工上的注意

使用条件

1. 供冷水*热水压强：
最低压强.....0.05MPa（流动压）
最高压强.....1.0MPa（静压）
推荐使用压强：
TBW01301*.....0.12-0.5MPa（流动压）
TBW01302*.....0.12-0.5MPa（流动压）
TBW01303*.....0.15-0.5MPa（流动压）
检测压强.....1.6MPa（静压）
2. 供水温度在4℃~90℃，建议使用热水温度60±5℃，供热水请勿使用蒸汽。
3. 使用环境温度0℃以上，60℃以下，如果不高于0℃，水嘴会出现变形、冻裂等现象，同时高于60℃可能会损坏花洒内部结构。
4. 为防止花洒内部损坏，花洒侧吐水温度不得超过60℃，建议使用温度45℃以下。
5. 长时间不使用时，可能导致水嘴内部及外部锈蚀不能使用等现象。
6. 如果您需要废弃本产品，请勿将其作为一般生活垃圾处理，请依照法规经由独立的回收体系进行合适的处理、恢复和回收。
7. 本说明书中的产品具有清洗功能。
※ 为了达到最好的安装与使用效果，水嘴本体推荐与「TOTO」手握式系列花洒一起配套使用

施工上的注意

-  **警告** 表示如果无视此标志而误操作时，有可能造成人员重伤或死亡。
-  **注意** 表示如果无视此标志而误操作时，有可能造成人身伤害或财产损失。

警告

1. 水嘴的供热水一侧处于高温状态，请勿使皮肤直接接触五金配件表面，否则可能会烫伤。
2. 请勿配反冷*热水配管，否则可能会烫伤。
3. 供热水请勿使用蒸汽，否则可能会烫伤。

施工上的注意与保养

警告

4. 当直接从吐水口侧切换到淋浴器侧或从淋浴器侧切换到吐水口侧时，水温会发生变化，要用手测试水温后再使用，否则可能会烫伤。
5. 如果客户不使用我司水嘴自带的进水口过滤网，可能会出现阀芯因异物进入而导致的漏水或破损的风险。

注意

1. 由于陶瓷阀芯是较精密的部件，请勿擅自分解，否则可能会造成漏水等不良。
2. 请勿撞击本产品，否则可能会造成故障、漏水。
3. 随着产品式样的不断更新，实物存在与图示不符的情况，但基本安装、使用原理相同。
4. 由于出厂前进行通水检查，故水嘴内可能有残留水，并非产品有问题。
5. 本产品必须远离暖风机或浴霸等发热源，否则可能会损坏花洒表面和内部结构。
6. 在可能结冰的场所使用时，要切实做好防冻措施。
因结冰，零件破损，有可能导致漏水，造成财产损失。因结冰而造成的破损即使在保修期内也是有偿修理。请不要让产品的环境温度低于0℃。

防冻措施

在可能结冰的场所使用时，要切实做好防冻措施。

1. 产品结冰的话零件损坏，成为漏水的原因。
2. 因结冰造成的零件破损即使在保修期也是有偿修理。
3. 施工完了后或长时间不使用时，要有预防突然降温的准备，要对产品进行结冰预防。
4. 因为有结冰的危险，请不要让产品周围的温度在0℃以下。

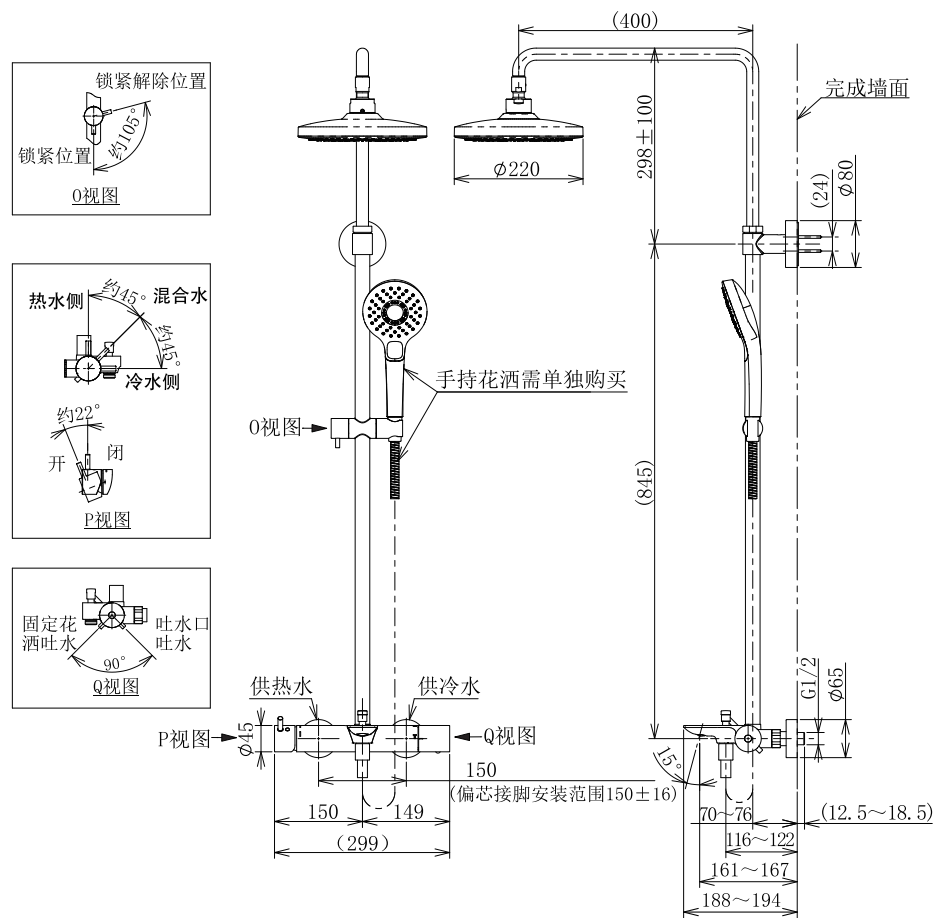
保养

为长期保持产品的美观，请用户按以下方法维护保养。

1. 经常用软布擦拭，间或用软布蘸水擦拭。
2. 当有污垢且比较明显时，请用中性洗涤剂擦拭后充分进行水洗。

安装完成图

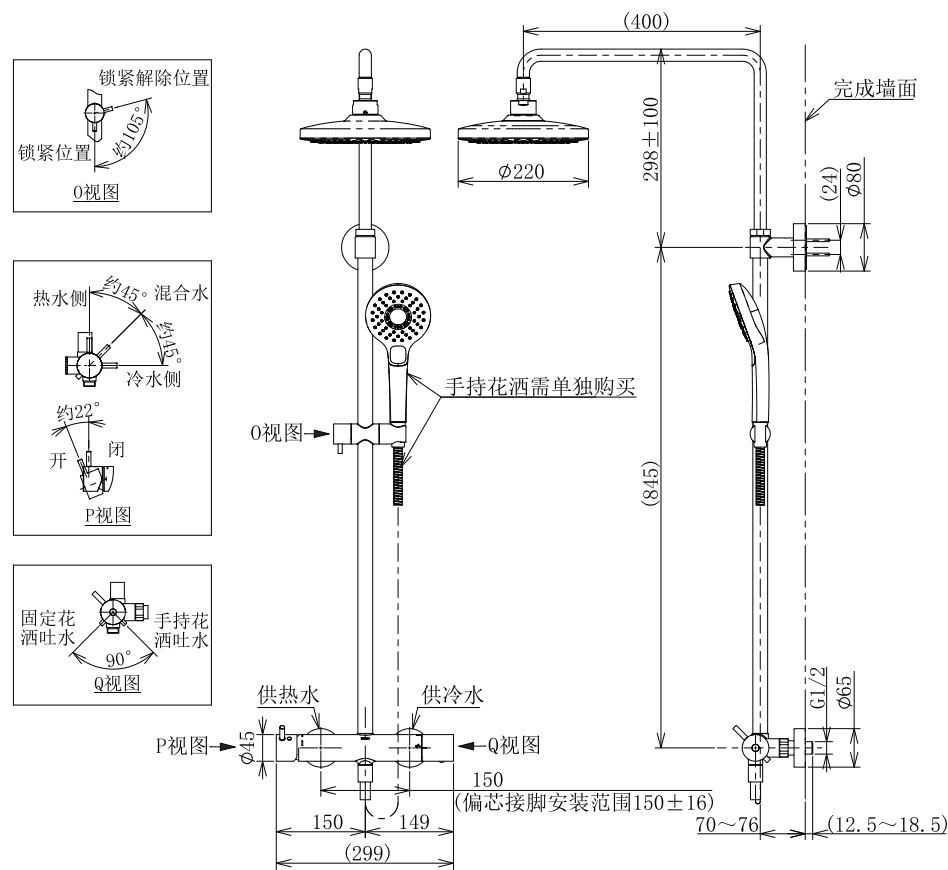
TBW01301* 铜合金双柄双控淋浴柱·带固定花洒



注：尺寸单位为mm；（ ）内尺寸为参考尺寸；
 供水管中心与完成地面之间的高度尺寸建议为900mm~1200mm，客户
 可根据使用者的身高以及天棚高度自行决定。

安装完成图

TBW01302* 铜合金双柄双控淋浴柱·带固定花洒
 TBW01303* 铜合金双柄双控淋浴柱·带固定花洒



注：尺寸单位为mm；（ ）内尺寸为参考尺寸；
 供水管中心与完成地面之间的高度尺寸建议为900mm~1200mm，客户
 可根据使用者的身高以及天棚高度自行决定。

水嘴的安装

1. 供水管内的清扫

水嘴安装前必须先将供水管内的尘埃、砂砾等完成洗净、冲出。

2. 偏心接脚的安裝

(1) 在两个偏心接脚涂上螺纹密封膏或缠绕密封胶带，然后旋入冷热供水管中。

注意：调节两个偏心接脚，使其中心距离在 $150 \pm 16\text{mm}$ 范围内，并保证两偏心接脚端面相对于壁面成平行，且在同一平面上；冷热供水管与墙面的距离控制在 6mm 以内，不能露出墙面，否则水嘴将出现间隙或安装不良，如图所示：

(2) 将装饰盖旋入偏心接脚，紧贴装修后的墙壁。

注意：为确保安装后装饰盖能完全盖住安装孔，请把握好安装孔的开孔尺寸（推荐在 $\text{Ø}40.5\text{mm}$ 以下），否则可能影响外观效果。

(3) 把过滤网垫片放入螺母内，将螺母与偏心接脚连接，此时螺母先用手拧紧即可。待花洒连接管以及固定支架完全安装好后，再用扳手将螺母完全拧紧。

注意：a. 拧紧螺母时要先确认过滤网垫片是否已放入螺母内。
b. 螺母拧紧不漏水即可，装饰盖和螺母之间可能有间隙。

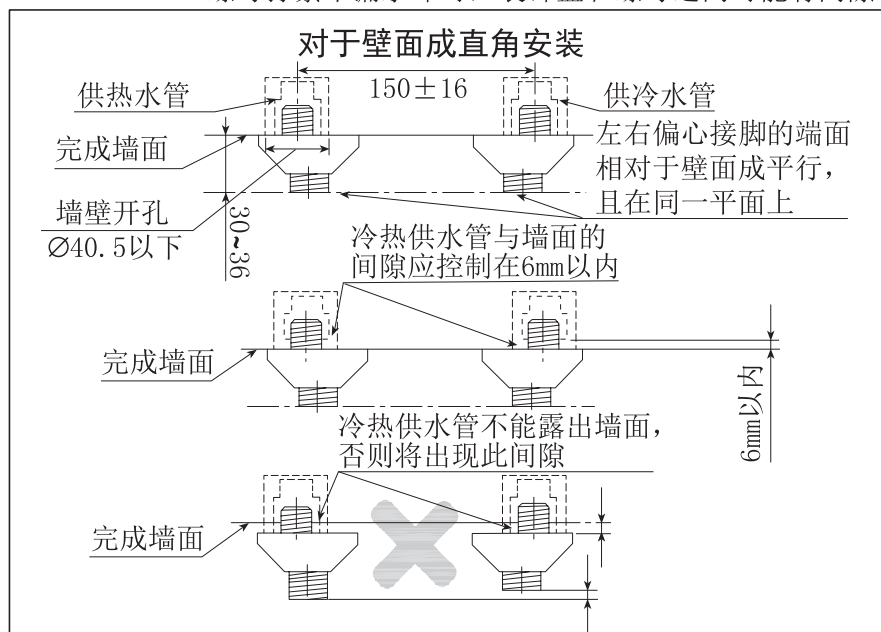
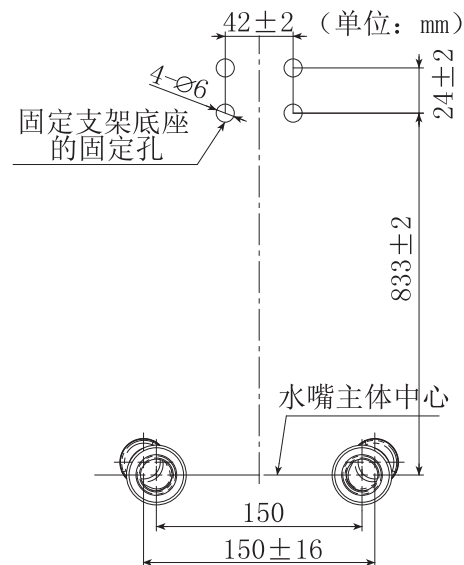


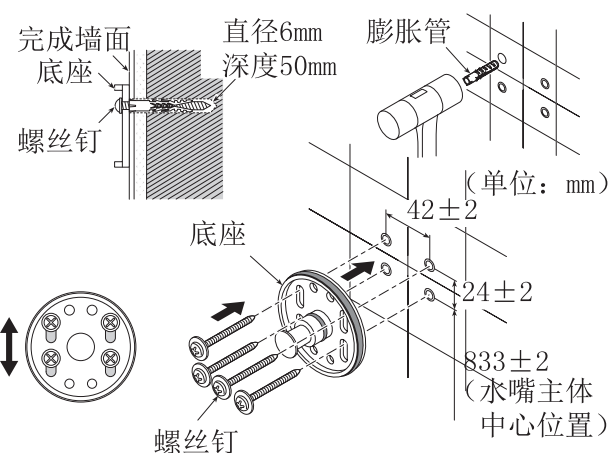
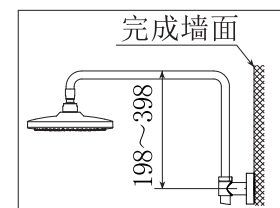
图1：偏心接脚的安裝

水嘴的安装

3. 墙壁开孔位置的确定以及固定支架的假安装



*注：本系列产品上端淋浴杆有 200mm 可升降范围，在确定固定孔位置时，请注意孔上方留有足够空间。

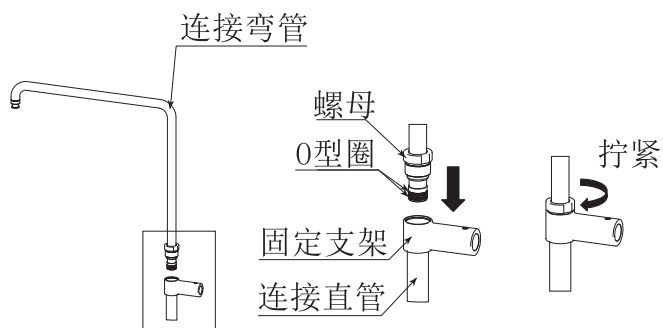


- ①根据图示尺寸确定底座安装孔的位置；
- ②在安装孔对应的墙面上钻孔（直径 6mm 深度 50mm 程度）；
- ③将膨胀管打入墙上的孔内；
- ④用螺丝钉将底座固定到墙面上。
（*此时无需完全固定紧，请保证底座可上下调节）

水嘴的安装

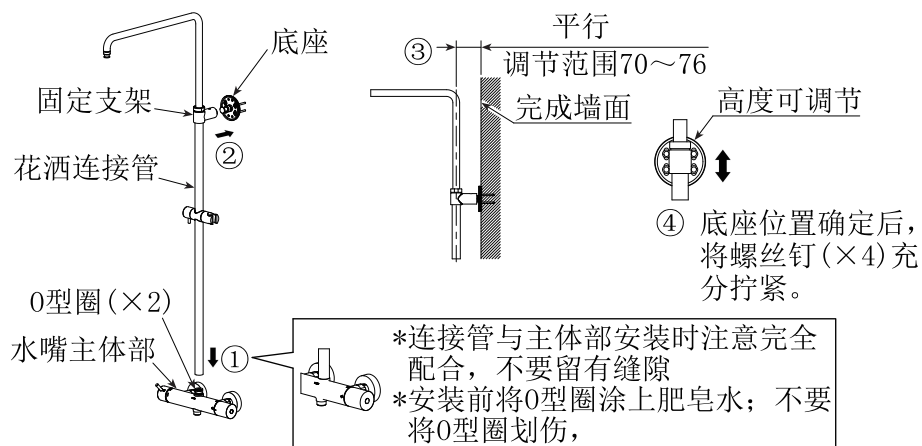
4、花洒连接管的安装

如下图所示，将连接弯管上的两个O型圈涂上肥皂水，垂直插入连接直管中，再将螺母与固定支架拧紧。



5、固定支架底座的真安装

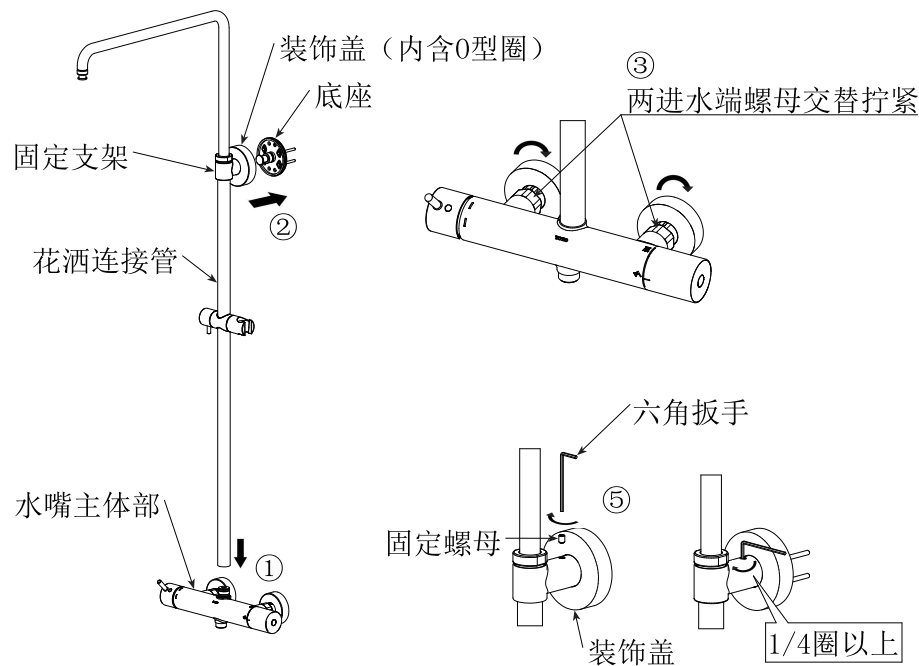
- ①将连接直管插入主体部完全配合（※安装前将水嘴主体上的O型圈涂上肥皂水）
- ②将固定支架插入底座配合好。
- ③保证连接直管与完成墙面平行，调整底座高度，确定底座的固定位置。
- ④将底座上的螺丝钉（4个）完全拧紧。



水嘴的安装

6、水嘴主体部的真安装

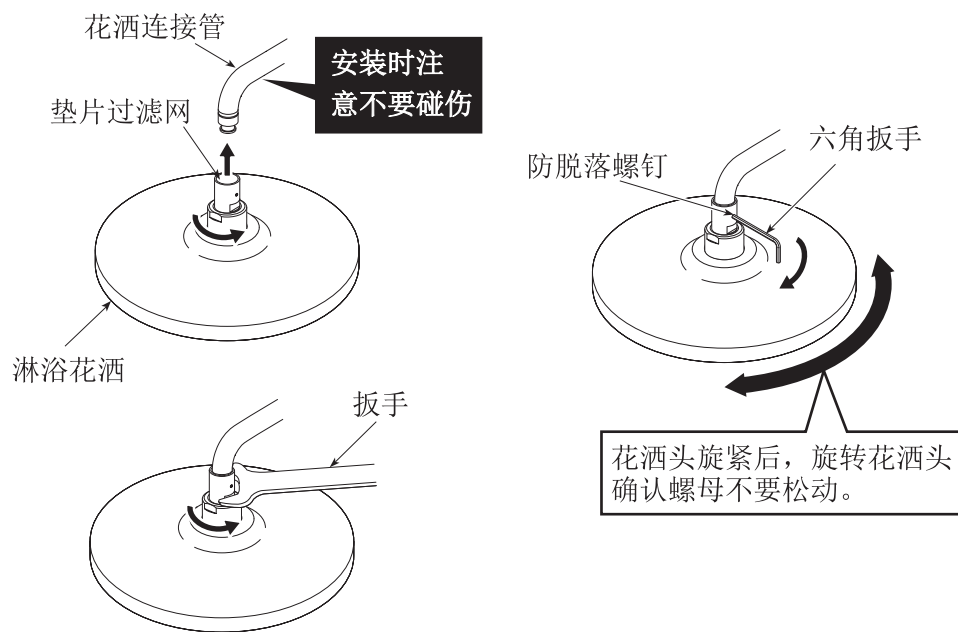
- ①将连接管插入主体部完全配合。（*安装前确认主体部的O型圈涂上肥皂水，以免划伤O型圈）。
- ②将底座部装饰盖内的O型圈涂上肥皂水，安装在固定支架上；再将固定支架插入底座。
- ③将水嘴主体部的螺母用扳手交替拧紧。
- ④将底座上的O型圈涂上肥皂水，再将装饰盖扣在底座上（注意装饰盖与完成墙面充分贴合）。
- ⑤调整连接管与完成墙面平行，使用六角扳手将固定支架上的固定螺钉拧紧。（*如图所示，六角扳手垂直使用将固定螺钉拧紧后，再将六角扳手横向使用，再转动1/4圈以上，加强固定效果。）



水嘴的安装

7、淋浴花洒的安装

将淋浴花洒与连接弯管螺纹端用扳手固定，调节淋浴花洒，使淋浴花洒吐水面朝下，用六角扳手旋紧防脱落螺钉。



生产厂家与销售商

执行标准：GB 18145-2014 GB 28378-2019

产品型号：见包装箱上的标签

产品名称：见包装箱上的标签

生产日期：见包装箱上的标签

组装工厂：东陶（大连）有限公司

电 话：（0411）87624383

厂 址：大连经济技术开发区东北二街17号

东陶(中国)有限公司

全国售后服务电话：800-820-9787(固定电话)

400-820-9787(手机用户)

销售商：东陶(中国)有限公司

地 址：北京市朝阳区光华路1号 北京嘉里中心北楼1915室

网 址：www.toto.com.cn

Contents

Contents

Contents	1
Detailed list.....	2
Use condition and attentions in construction.....	3
Attentions in construction and maintenance	4
Rough-In Illustration	5~6
Installation of the Rain Shower and Spout Slide Bar	7~11

Detailed list

Detailed list

Control Handle Body of the Spout	1 set
Fastened Rain Shower Part	1 piece
Rain Shower Arm Elbow (including nut)	1 set
Slide Bar (including fastened support and hand shower support)	1 set
Fastened Support Backstop	1 set
Off-Center Connecting Feet	2 pieces
Escutcheon	3 pieces
Screws Accessories	1 set
Instructions for construction.....	1 copy
Instructions for operation.....	1 copy

The products using this detailed list include:

- TBW01301* "G Shower" Mixing Shower Column (Bath & Shower)
(Standard Type)
- TBW01302* "G Shower" Mixing Shower Column (Shower)
(Standard Type)
- TBW01303* "G Shower" Mixing Shower Column (Shower)
(Standard Type)

Use condition and attentions in construction

Use condition

1. Cold water supply*hot water supply pressure
Minimum pressure 0.05MPa (flow pressure)
Maximum pressure 1.0MPa (static pressure)
Recommended Operating pressure
TBW01301*.....0.12–0.5MPa (flow pressure)
TBW01302*.....0.12–0.5MPa (flow pressure)
TBW01303*.....0.15–0.5MPa (flow pressure)
Test pressure 1.6MPa(static pressure)
 2. The temperature for water supply is 4–90 °C. It is suggested to use the hot water temperature of 60 ± 5 °C. Do not use steam to supply hot water.
 3. The ambient temperature when using the product should be above 0°C and below 60°C. If the temperature is not above 0°C, deformations, cracking due to frost, etc. may occur in the handheld sprayer.
Besides, internal structure of rain shower may be damaged if water temperature is higher than 60 °C
 4. To prevent internal sprinkler damage, the water outlet temperature on the sprinkler side shall not exceed 60°C. It is suggested to use a temperature below 45°C.
 5. Being out of use for a long time may result in internal and external rust to the faucets and being unable to be used.
 6. If you want to scrap this product, do not treat it as you do for general household garbage. Please follow relevant statutes to have it treated, recovered and collected appropriately by an independent recovery system.
 7. The product in these instructions has a cleaning function.
- ※ In order to reach the best installation and use effect, it is recommended to use [TOTO] hand shower together.

Attentions in use

- ⚠ Warning: it means that ignoring this mark and misoperation may cause serious personal injury and death.
- ⚠ Attention: it means that ignoring this mark and misoperation may cause personal injury or property loss.

⚠ Warning

1. The hot water supply side of the faucets is in a condition of high temperature. Do not allow skin to contact with the hardware surface directly. Otherwise, scalding may occur.
2. Do not reverse cold*hot water pipes. Otherwise, scalding may occur.
3. Do not use steam to supply hot water. Otherwise, scalding may occur.
4. When switching directly from the water outlet side to the shower side or from the shower side to the water outlet side, the water temperature may change. Be sure to use after measuring the water temperature with hand. Otherwise, scalding may occur.

Attentions in construction and maintenance

⚠ Warning

5. If a customer fails to use the self-contained water inlet filter net of our water faucet, there is such a risk as water leakage or damage due to foreign matters entering into the spool.

⚠ Attentions

1. As the ceramic cartridge is a precise component, do not dismantle it without authorization. Otherwise, such poor conditions as water leakage, etc. may be caused.
2. Do not impact the product. Otherwise, failure, water leakage may occur.
3. With the product design being updated constantly, the physical object may not coincide with the figure. However, the basic principle for installation, use is the same.
4. Due to water supply inspection before ex-factory, there may be water remaining in the faucet. This is not a product problem.
5. Keep this product away from heat sources, such as fan heater and bath heater. Otherwise, surface and internal structure of rain shower may be damaged.
6. When using the product at a place that may freeze, anti-freezing measures should be taken properly.
If any part is damaged due to being frozen, it may cause leakage and property damage. In case of the product damage due to freezing, it requires for paid repair technician even within warranty period. Please do not use the product at ambient temperature lower than 0°C.

Anti-freezing measures

When using the product at a place that may freeze, anti-freezing measures should be taken properly.

1. It is one of the causes of water leakage when any part of the product is damaged due to freezing.
2. In case of the product damage due to freezing, it requires for paid repair technician even within warranty period.
3. After the product is installed or won't be used for a long time, preventive measures should be taken for sudden drop of temperature to prevent the product from being frozen.
4. Do not put the product at ambient temperature below 0°C for fear of freezing.

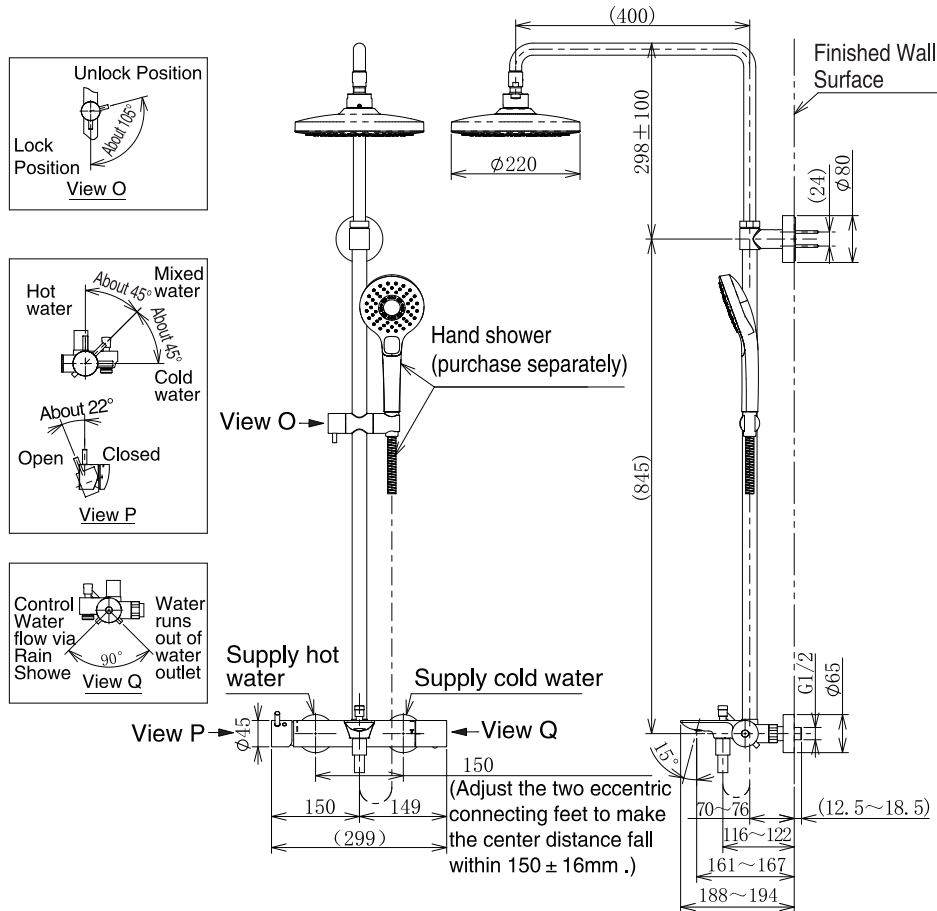
Maintenance

To maintain a beautiful appearance of the product, the user is requested to conduct maintenance and care in the following method.

1. Wipe with a piece of soft cloth frequently and use a piece of soft cloth dipped in water to wipe from time to time.
2. When dirt exists obviously, please use water to wash sufficiently after wiping with a neutral detergent.

Rough-In Illustration

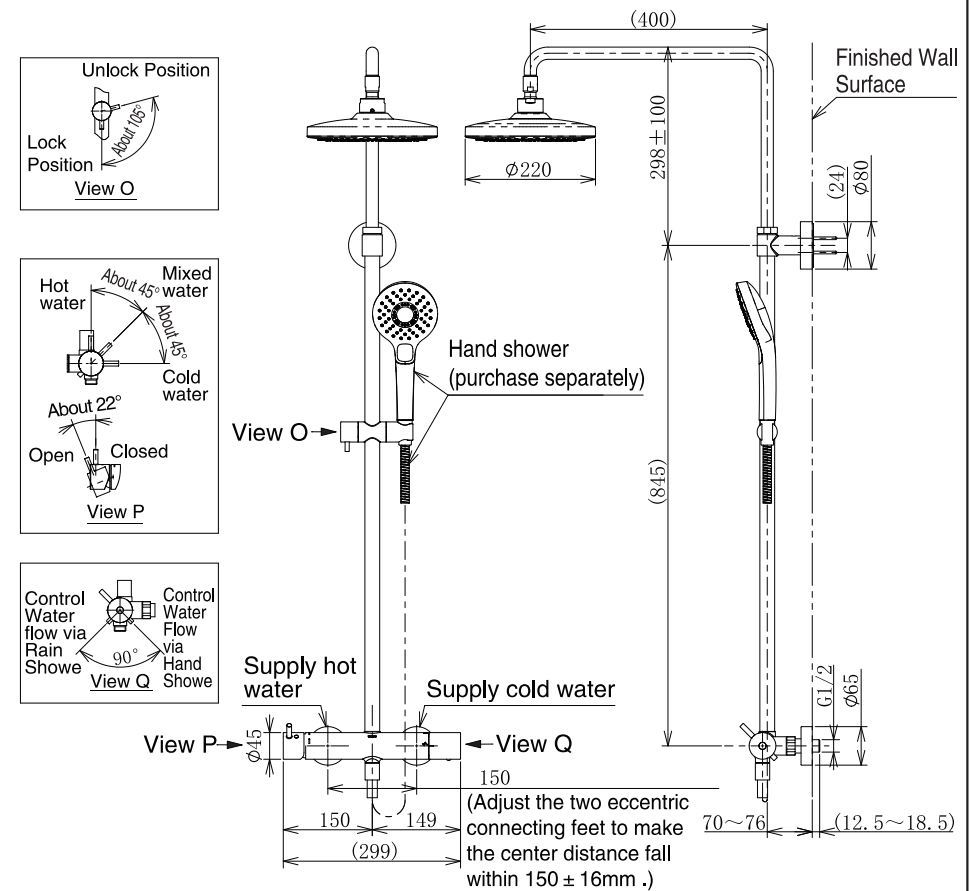
TBW01301* "G Shower" Mixing Shower Column (Bath & Shower)
(Standard Type)



Note: Unit of dimensions is mm; the dimensions provided in () are reference dimensions;
The height between the center of the water supply pipe and the completion ground surface is recommended to be 900mm ~ 1200mm, able to be determined by customer according to user' s height and ceiling height.

Rough-In Illustration

TBW01302* "G Shower" Mixing Shower Column (Shower)(Standard Type)
TBW01303* "G Shower" Mixing Shower Column (Shower)(Standard Type)



Note: Unit of dimensions is mm; the dimensions provided in () are reference dimensions;
The height between the center of the water supply pipe and the completion ground surface is recommended to be 900mm ~ 1200mm, able to be determined by customer according to user' s height and ceiling height.

Installation of the Rain Shower and Spout Slide Bar

1. Cleaning inside the Water Supply Line

Before installation of spout, please completely clean and flush out the dust, gravel and other things in water supply line.

2. Installation of Off-Center Connecting Feet

- (1) Apply thread sealant or roll sealing tape on the two off-center connecting feet, and then screw them in the cold and hot water supply lines.

Note: Adjust the two off-center connecting feet to make the center distance fall within $150 \pm 16\text{mm}$ and keep the end faces of the two off-center connecting feet parallel in relation to the finished wall surface and on the same plane; the distance from the cold and hot water supply lines to the finished wall surface is controlled within 6mm without exposing from the finished wall surface, otherwise, a gap or poor installation will occur to the spout, as shown in the figure.

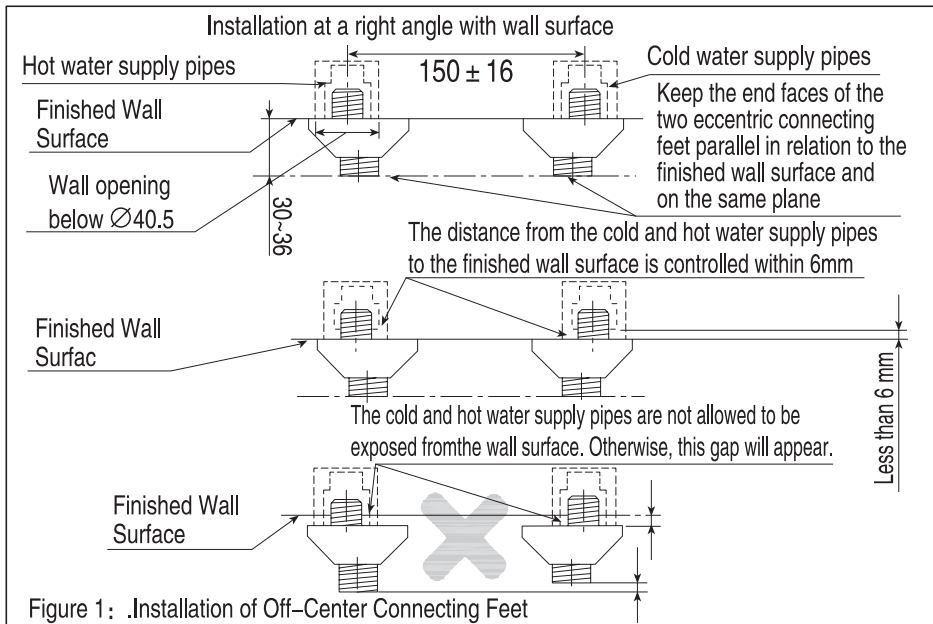
- (2) Screw the escutcheon in the off-center connecting feet, tightly close to the finished wall.

Note: To ensure that the escutcheon can totally cover the mounting hole after installation, please properly control the mounting hole dimension (below $\varnothing 40.5\text{mm}$ as recommended); otherwise, the appearance effect may be affected.

- (3) Put the filter gasket in the nut, and then connect the nut with off-center connecting feet. The nut can be screwed in by hand at this time. After the slide bar and fastened support are completely installed, tighten with screwdriver.

Note:

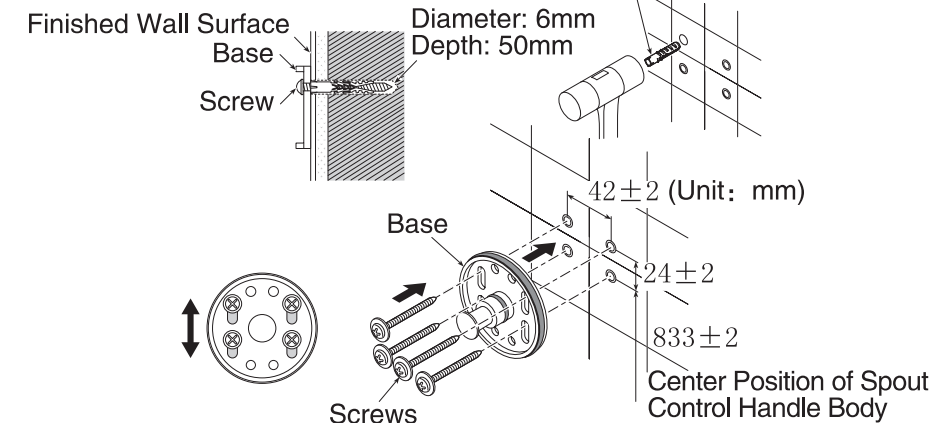
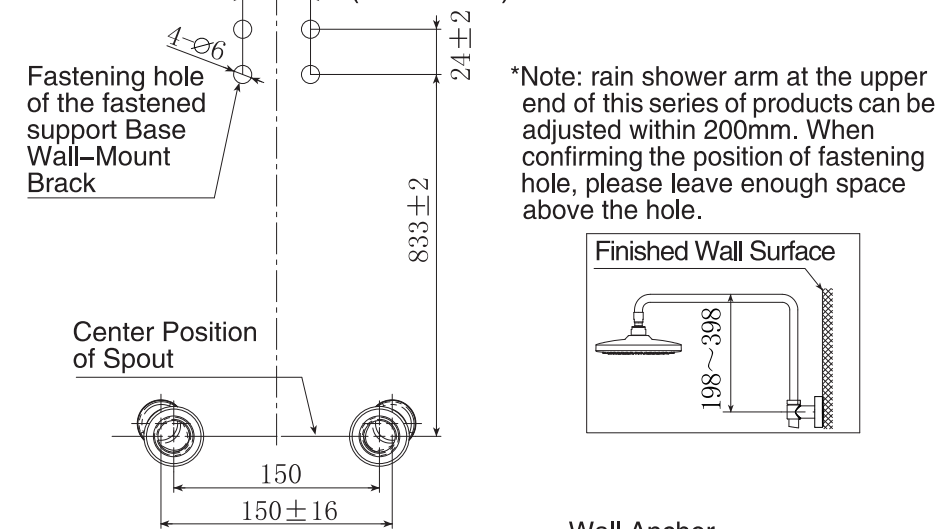
- a. While tightening the nut, be sure the filter gasket has been put in the nut first.
- b. Just tighten the nut to a degree with no water leakage. A gap may exist between the decorating escutcheon and the nut.



Installation of the Rain Shower and Spout Slide Bar

3. Confirmation of the start position on the finished wall and incorrect installation of fastened support

(Unit: mm)

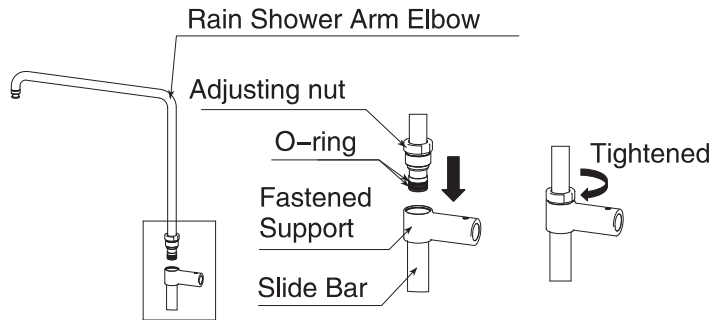


- ① Confirm the position of base wall-mount bracket mounting hole according to the dimensions as shown;
- ② Drill a hole on the finished wall (diameter: 6mm, depth: 50mm);
- ③ Tap the wall anchor into the hole;
- ④ Fasten the base wall-mount bracket onto the finished wall with tapping screws. (*The base wall-mount bracket doesn't need to be completely fastened. Please ensure the base wall-mount bracket is able to move up and down.

Installation of the Rain Shower and Spout Slide Bar

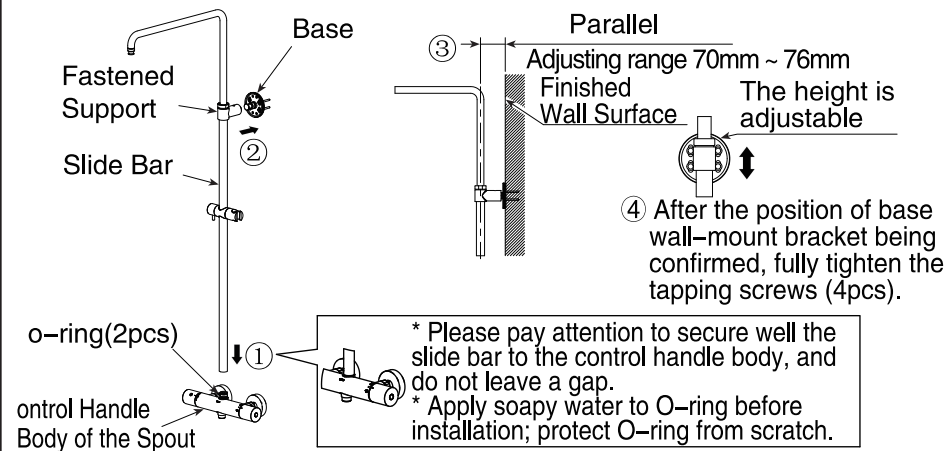
4. Installation of the Rain Shower Arm

As shown below, apply soapy water to the two O-rings on the rain shower arm elbow, then insert the elbow vertically into the slide bar, and tighten the nut and fastened support.



5. Actual Installation of Fastened Support Base Wall-Mount Bracket

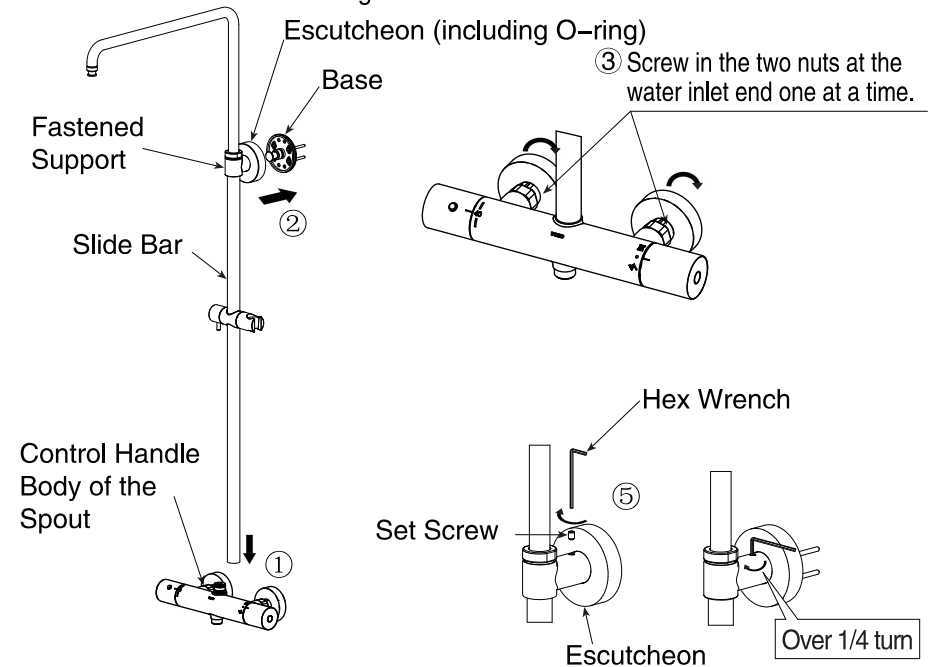
- ① Insert the slide bar into the body control handle and fully fit it together (*Apply soapy water to the O-ring on spout body before installation)
- ② Insert the fastened support into the base wall-mount bracket, and secure well.
- ③ Ensure the slide bar to be parallel to finished wall surface, and then adjust the height of base wall-mount bracket to confirm the fastening position of the base wall-mount bracket.
- ④ Completely tighten the tapping screws on the base wall-mount bracket (4pcs).



Installation of the Rain Shower and Spout Slide Bar

6. Installation of main body part of the faucet

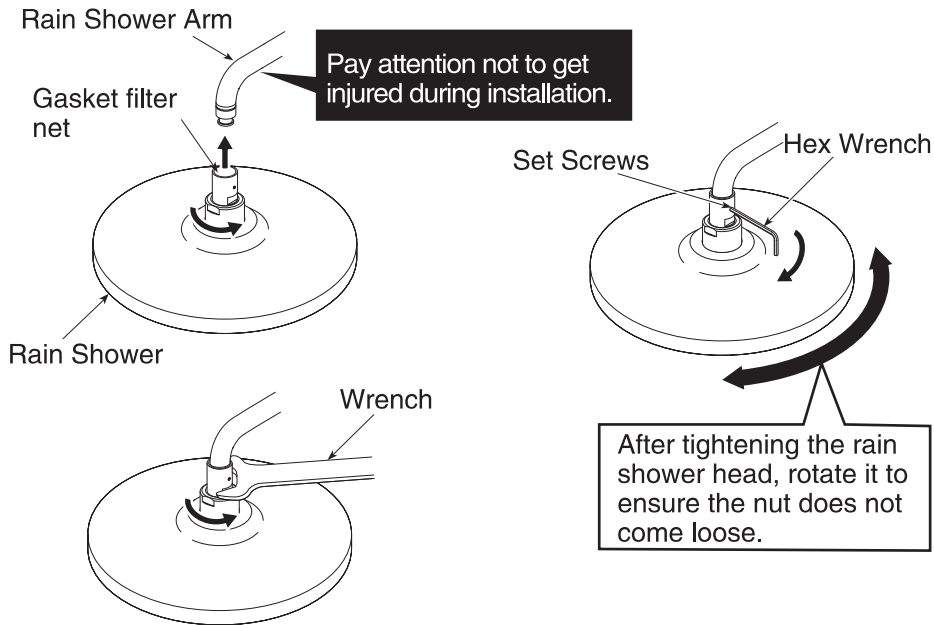
- ① Insert the slide bar into the control handle body and secure well.
(* Be sure to apply soapy water to the O-ring of control handle body before installation to protect the O-ring from scratch).
- ② Apply soapy water to the O-ring inside the escutcheon of base wall-mount bracket and install it onto the fastened support; then insert the fastened support into the base wall-mount bracket.
- ③ Tighten the nut of the spout body one at a time with the wrench.
- ④ Apply soapy water to the O-ring on the base wall-mount bracket, and then put the escutcheon on the base (base wall-mount bracket); secure well, the escutcheon to the finished wall surface.
- ⑤ Adjust the slide bar to make it parallel to the finished wall surface, and use the hex wrench to tighten the fixing set screws on the fastened support.
* As shown, after using the hex wrench vertically to tighten the fixing set screws, use the hex wrench horizontally, and then rotate more than "1/4" turn to enhance the fastening.



Installation of the Rain Shower and Spout Slide Bar

7. Installation of the Rain Shower

Fasten the rain shower to the threaded end of the rain shower arm with a wrench, then adjust the rain shower head to face the water outlet down, and use the 4mm hex wrench to tighten the set screw.



TOTO Asia Oceania Pte. Ltd.

Telephone: 65-6744-6955

FAX: 65-6841-0819

Address: 10 Eunos Road 8 #12-07 Singapore Post Centre
Singapore 408600

Website: asia.toto.com

TOTO KOREA LTD.

전화번호 : (02)-3141-8236

FAX 번호 : (02)-3141-8240

주소 : 서울시 마포구 토정로 112(상수동, 로이코빌딩 3층)

홈페이지 : <https://kr.toto.com>