

施工说明书 Installation Manual

安装产品前请仔细阅读本施工说明书，并保留备用。
Before installing the product, please read the Installation Manual carefully and keep it for future reference.

TOTO

TOTO

OG5501Y
2022.03

目录

目 录

目 录.....	1
明细单.....	2、3
使用条件与施工上的注意.....	4
施工上的注意与保养.....	5
安装完成图.....	6-9
本体的安装.....	10-12
生产厂家与销售商.....	13

明细单

明细单

通水弯头.....	1个
螺 钉.....	1个
装饰套 (TBW07020*或TBW08009*).....	1个
固定卡件 (TBW07020*或TBW08009*).....	1个
花洒支架 (TBW07021*或TBW08010*).....	1个
塞盖 (TBW07021*或TBW08010*).....	2个
施工说明书.....	1本
使用说明书.....	1本

明细单

使用此明细单的产品包括：



- TBW07020* 埋墙式淋浴头本体（圆）
- TBW08009* 埋墙式淋浴头本体（方）
- TBW07021* 埋墙式淋浴头本体 带花洒支架（圆）
- TBW08010* 埋墙式淋浴头本体 带花洒支架（方）

使用条件与施工上的注意

使用条件

1. 供冷水*热水压强：
最低压强……………0.05MPa（流动压）
最高压强……………1.0MPa（静压）
推荐使用压强……………0.1-0.5MPa（流动压）
检测压强……………1.6MPa（静压）
2. 供水温度在4℃~90℃，建议使用热水温度60℃，供热水请勿使用蒸汽。
3. 使用环境温度1℃以上。如果低于1℃，水嘴会出现变形、冻裂等现象。
4. 为防止花洒内部损坏，花洒侧吐水温度不得超过60℃，建议使用温度45℃以下。
5. 长时间不使用时，可能导致水嘴内部及外部锈蚀不能使用等现象。
6. 如果您需要废弃本产品，请勿将其作为一般生活垃圾处理，请依照法规经由独立的回收体系进行合适的处理、恢复和回收。
7. 本说明书中的产品具有清洗功能。

施工上的注意

-  **警告** 表示如果无视此标志而误操作时，有可能造成人员重伤或死亡。
-  **注意** 表示如果无视此标志而误操作时，有可能造成人身伤害或财产损失。

警告

1. 水嘴的供热水一侧处于高温状态，请勿使皮肤直接接触五金配件表面，否则可能会烫伤。
2. 请勿配反冷*热水配管，否则可能会烫伤。
3. 供热水请勿使用蒸汽，否则可能会烫伤。
4. 当直接从吐水口侧切换到淋浴器侧或从淋浴器侧切换到吐水口侧时，水温会发生变化，要用手测试水温后再使用，否则可能会烫伤。
5. 如果客户不使用我司水嘴自带的进水口过滤网，可能会出现阀芯因异物进入而导致的漏水或破损的风险。

施工上的注意与保养

⚠ 注意

1. 由于陶瓷阀芯是较精密的部件，请勿擅自分解，否则可能会造成漏水等不良。
2. 请勿撞击本产品，否则可能会造成故障、漏水。
3. 随着产品式样的不断更新，实物存在与图示不符的情况，但基本安装、使用原理相同。
4. 在可能结冰的场所使用时，要切实做好防冻措施。
因结冰，零件破损，有可能导致漏水，造成财产损失。因结冰而造成的破损即使在保修期内也是有偿修理。请不要让产品的环境温度低于0℃。

防冻措施

在可能结冰的场所使用时，要切实做好防冻措施。

1. 产品结冰的话零件损坏，成为漏水的原因。
2. 因结冰造成的零件破损即使在保修期也是有偿修理。
3. 施工完了后或长时间不使用时，要有预防突然降温的准备，要对产品进行结冰预防。
4. 因为有结冰的危险，请不要让产品周围的温度在0℃以下。

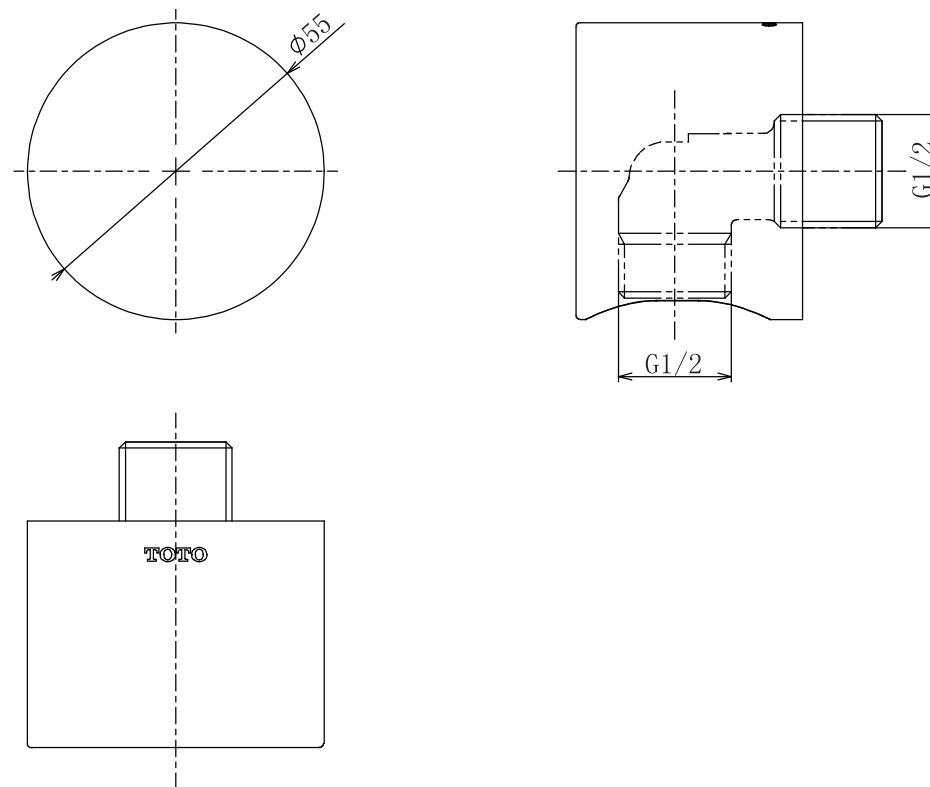
保养

为长期保持产品的美观，请用户按以下方法维护保养。

1. 经常用软布擦拭，间或用软布蘸水擦拭。
2. 当有污垢且比较明显时，请用中性洗涤剂擦拭后充分进行水洗。

安装完成图

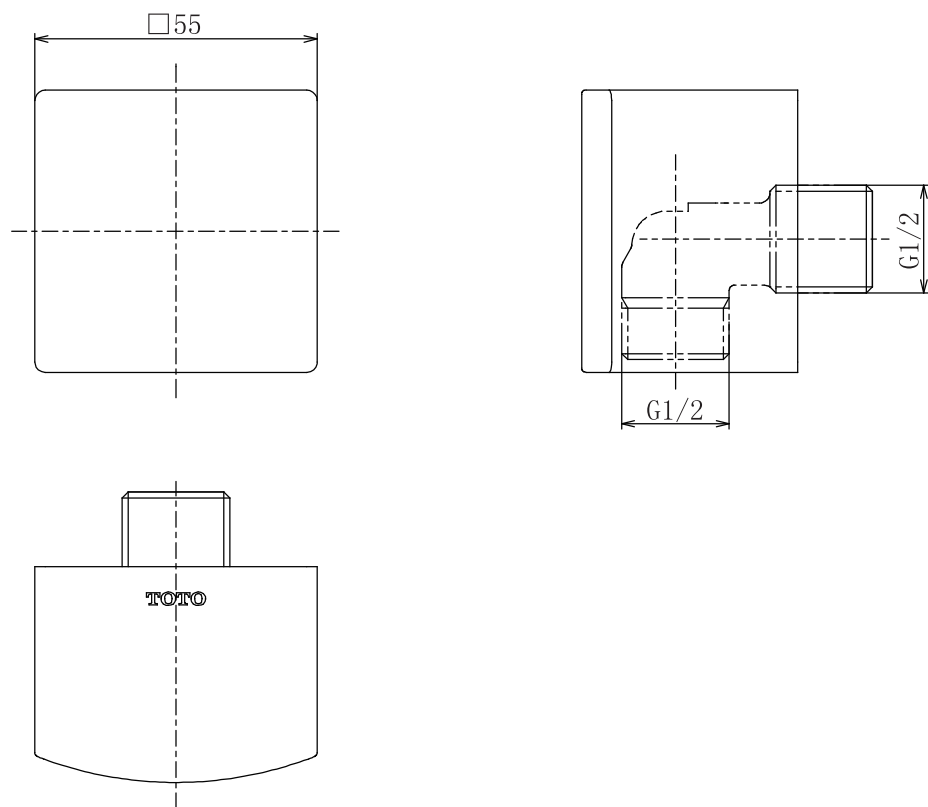
TBW07020* 埋墙式淋浴头本体（圆）



注：上記尺寸单位为mm；
()内尺寸为参考尺寸。

安装完成图

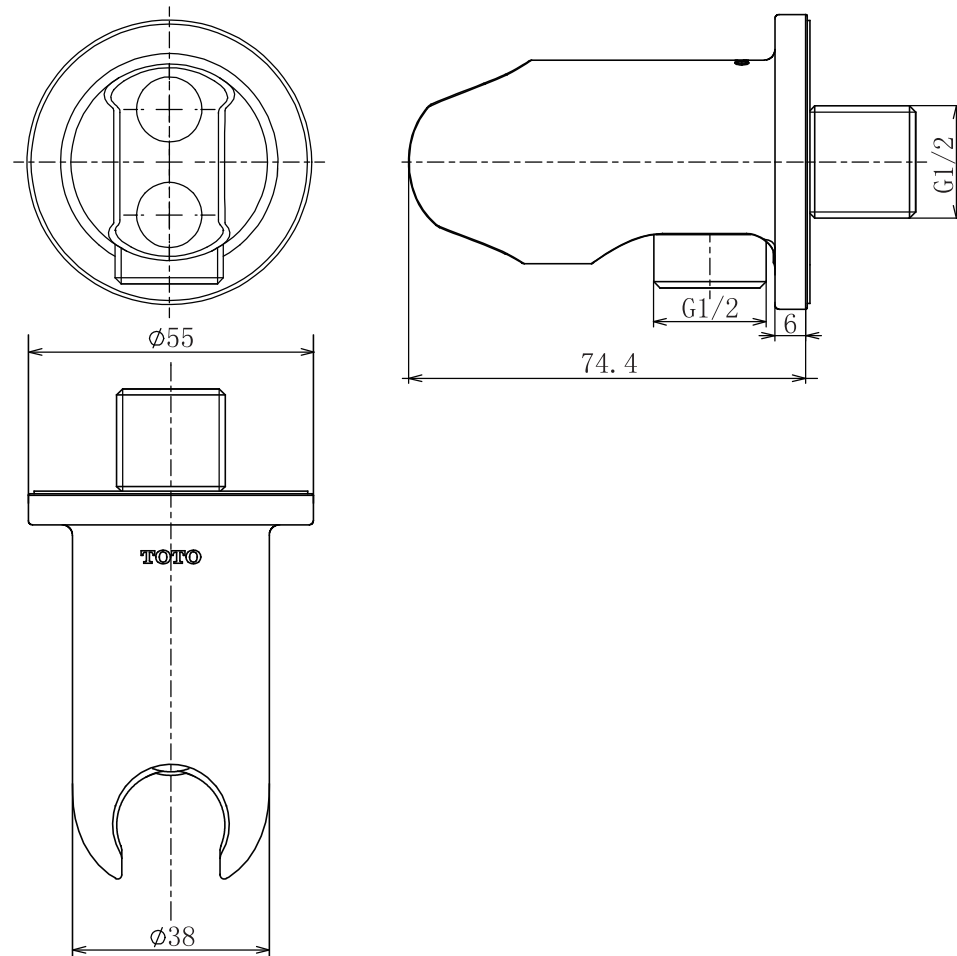
TBW08009* 埋墙式淋浴头本体（方）



注：上記尺寸单位为mm；
（）内尺寸为参考尺寸。

安装完成图

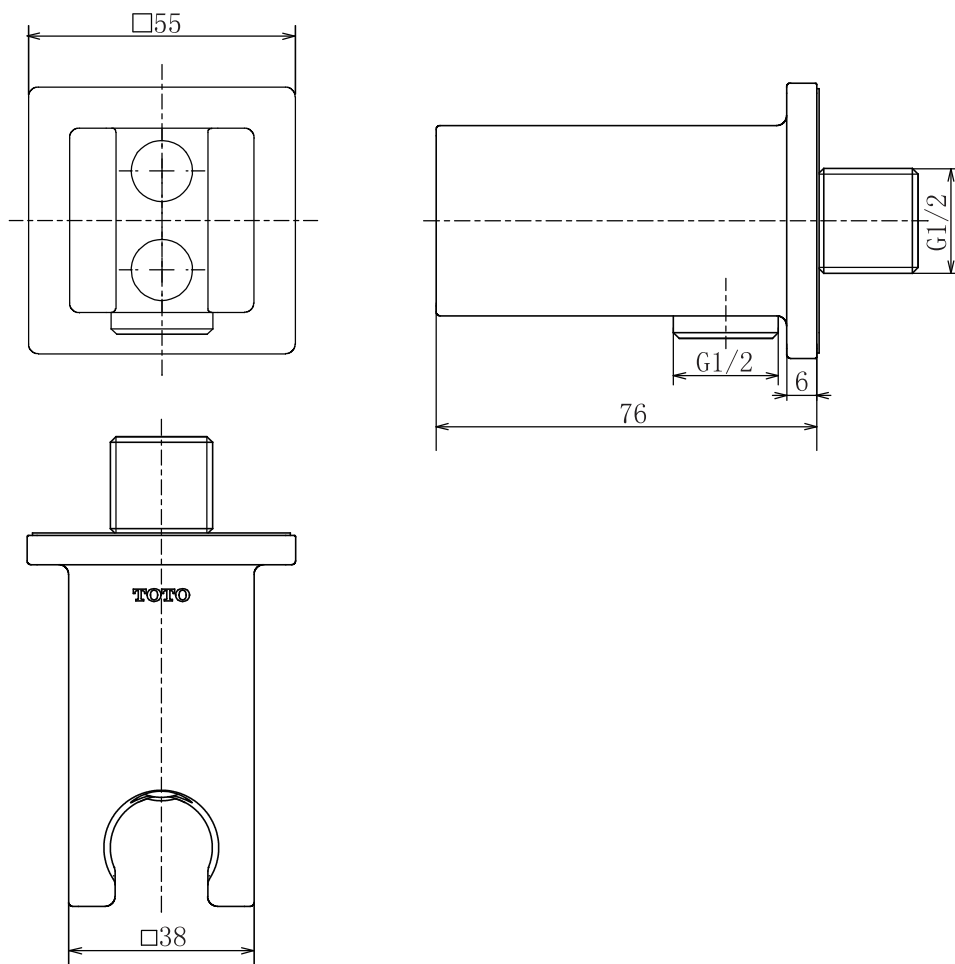
TBW07021* 埋墙式淋浴头本体 带花洒支架（圆）



注：上記尺寸单位为mm；
（）内尺寸为参考尺寸。

安装完成图

TBW08010* 埋墙式淋浴头本体 带花洒支架（方）

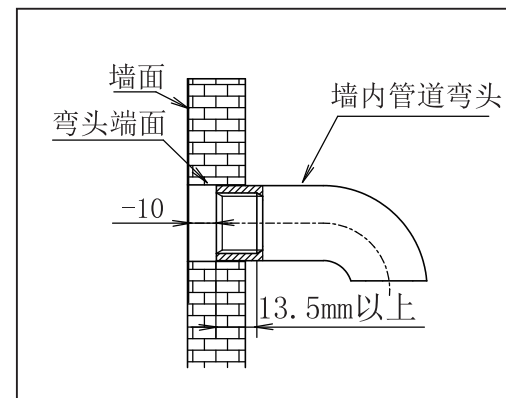


注：上記尺寸单位为mm；
()内尺寸为参考尺寸。

本体的安装

1、墙内弯管安装（如右图）

- (1)墙内弯管端面距离墙面 -10~+0mm范围内。
- (2)墙内弯管螺纹请保证有效深度13.5mm以上否则会因安装距离不正确导致装饰套或花洒支架无法安装。



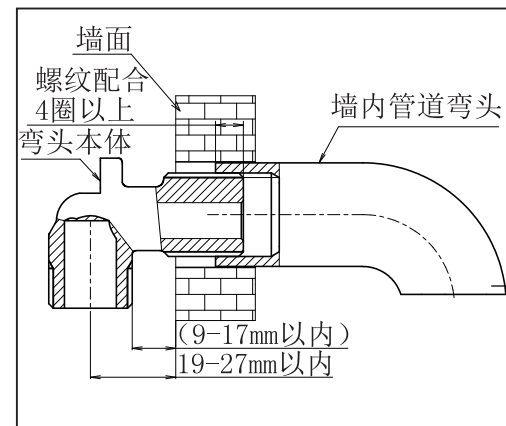
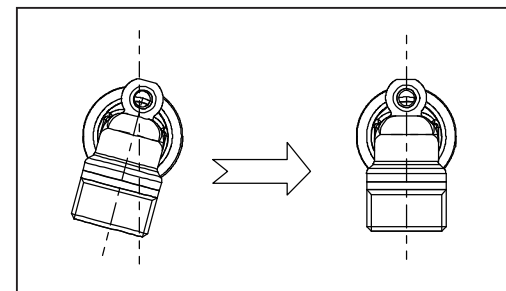
2、供水管内的清扫

安装之前，一定要冲净供水内的灰尘、砂砾等完成洗净、冲出。

3、通水弯头的安装

1. 通水弯头的安装（如右图）

- (1)将弯头螺纹缠足够生料带旋入墙内管道弯头内，并调整到垂直方向。
- (2)旋入时请至少旋转4圈（4道螺牙）以上，以保证密封性，同时调整弯头螺纹中心到墙面距离19~27mm的范围内即可，否则会造成之后无法安装装饰套或花洒支架。

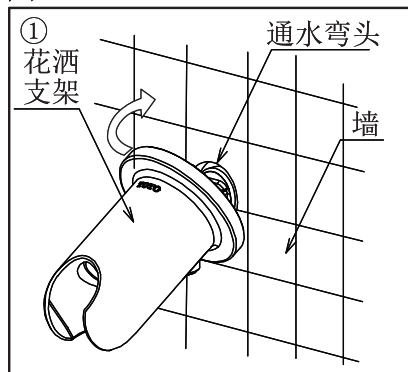


本体的安装

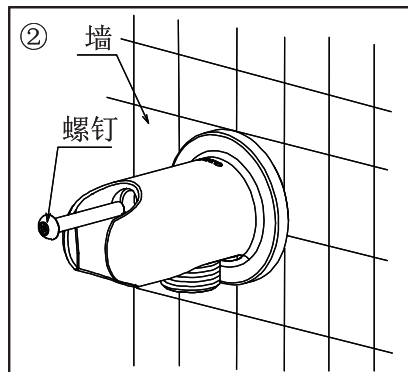
2. 花洒支架及装饰套的安装

(1)花洒支架的安装 (例TBW07021*) 如右图

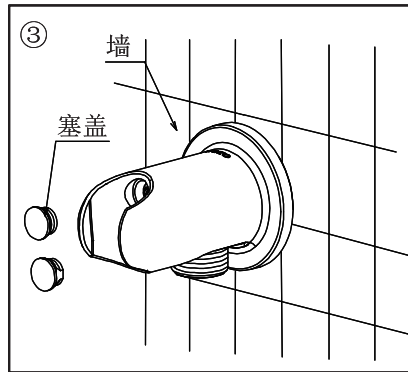
①将花洒支架紧靠墙壁，从通水弯头下端套入。然后抬起花洒支架，将支架后面贴合墙壁。



②用螺丝钉通过支架上螺钉口，与通水弯头螺纹配合，将螺钉拧入，直到螺钉将花洒支架紧固在墙壁上，无回转即可。



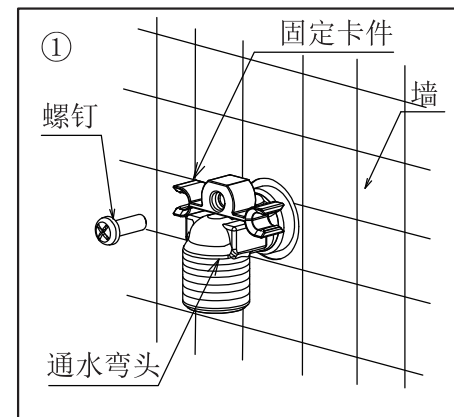
③调整好花洒支架的方向。最后将两个塞盖装入花洒支架的两个孔内。



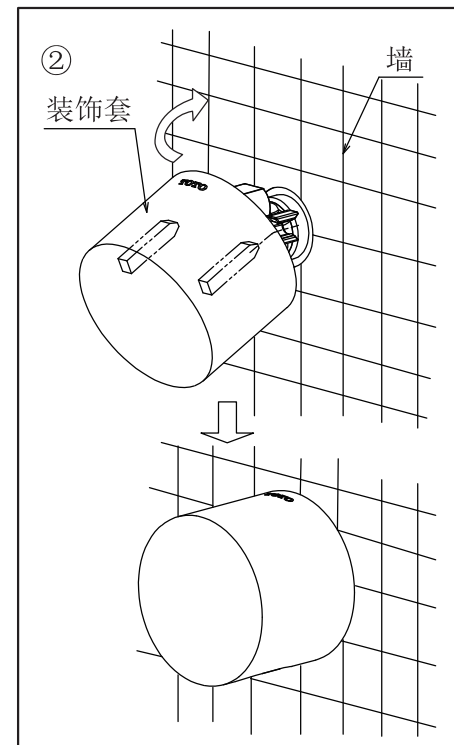
本体的安装

(2)装饰套的安装 (例TBW07020*) 如右图

①将固定卡件用螺钉旋紧固定在通水弯头上。



②装饰套套入通水弯头并充分插入嵌件内直到与墙面贴合即可。



生产厂家与销售商

执行标准：GB18145-2014

产品型号：见包装箱上的标签

产品名称：见包装箱上的标签

生产日期：见包装箱上的标签

组装工厂：东陶（大连）有限公司

电 话：（0411）87624383

厂 址：大连经济技术开发区东北二街17号

东陶(中国)有限公司

全国售后服务电话：800-820-9787(固定电话)

400-820-9787(手机用户)

销售商：东陶(中国)有限公司

地 址：北京市朝阳区光华路1号 北京嘉里中心北楼1915室

网 址：www.toto.com.cn

Table of Contents

Table of Contents

Table of Contents	1
Specification	2、3
Use conditions and Attention on Installation.....	4
Attention and Maintenance for Installation	5
Installation completion Diagram	6-9
Installation of body.....	10-12

Specification

Specification

Water Pipe Elbow Joint1 pc

Screw.....1 pc

Escutcheno
(TBW07020*/TBW08009*).....1 pc

Fixing Clamp
(TBW07020*/TBW08009*)1 pc

Handshower Bracket Outlet
(TBW07021*/TBW08010*)1 pc

Plug Cover
(TBW07021*/TBW08010*)2 pc

Installation Manual.....1 boklet

User Manual1 boklet

Specification

Products using this specification include:

TBW07020* Wall Outlet (round)

TBW08009* Wall Outlet (square)

TBW07021* Handshower Bracket Outlet (round)



TBW08010* Handshower Bracket Outlet (square)

Use Conditions and Attention on Installation

Use conditions

1. Pressure for cold water * hot water supplying
Minimum pressure..... 0.05 MPa (flow pressure)
Maximum pressure..... 1.0 MPa (static pressure)
Recommended pressure.....0.1 ~ 0.5 MPa (flow pressure)
Detection pressure.....1.6 MPa (static pressure)
2. The water supply temperature is between 4°C and 90°C. It is recommended to use hot water temperature of 60°C. Do not use steam when supplying hot water.
3. Ambient temperature of the use above 1°C. If it is lower than 1°C, the spout will have some issues such as deformations, cracking, etc.
4. To prevent internal damage to the shower, the temperature of the water laterally flowed from the showerhead should not exceed 60°C. The recommended temperature is below 45°C.
5. When it is not used for a long time, it may cause the inside and outside of the spout to rust and corrode, leading to malfunction.
6. If you need to dispose of this product, do not dispose of it as general household waste. Please follow the regulations to properly dispose, recover and recycle it through an independent recycling system.
7. The products stated in the Manual have a cleaning function.

Attention on Installation

-  Warning: Indicates that if you overlook this sign, causing misoperation, it may result in serious injury or death.
-  Attention: Indicates that if you overlook this sign, causing misoperation, it may cause personal injury or property damage.

Warning

1. As one side of the spout to supply hot water is in a high-temperature state, do not let the skin be directly in contact with the surface of the hardware fitting; otherwise it may cause burn injuries.
2. Do not assemble cold * hot water tubing incorrectly; otherwise it may cause burn injuries.
3. Do not use steam when supplying hot water; otherwise it may cause burn injuries.
4. When you switch from the water outlet side to the shower side, or from the shower side to the water outlet side directly, the water temperature will change, so please use the water after feeling the water temperature with the hand, otherwise scalding may occur.
5. If a customer fails to use the self-contained water inlet filter net of our water faucet, there is such a risk as water leakage or damage due to foreign matters entering into the spool.

Attention and Maintenance for Installation

Attention

1. Since the ceramic valve spool is a relatively precise component, do not disassemble it without authorization; otherwise it may cause water leakage and other defects.
2. Do not hit this product; otherwise it may cause malfunction or water leakage.
3. With the product model being updated constantly, the physical object may not coincide with the figure. However, the basic installation and operation principles are the same.
4. When using in places where icing may occur, anti-freezing measures must be taken. The parts will be damaged due to icing, which may cause water leakage and property loss. Damages caused by icing are repaired for a fee even during the warranty period. Please ensure that the ambient temperature of the product is always above 0°C.

Anti-freezing measures

- When using in places where icing may occur, anti-freezing measures must be taken.
1. The parts will be damaged due to icing, which may cause water leakage.
 2. Damaged parts caused by icing are repaired for a fee even during the warranty period.
 3. After the construction is completed or when it is not used for a long time, prepare to prevent sudden drop of temperature and prevent the product from icing.
 4. Because of the risk of icing, please ensure that the ambient temperature of the product is always above 0°C.

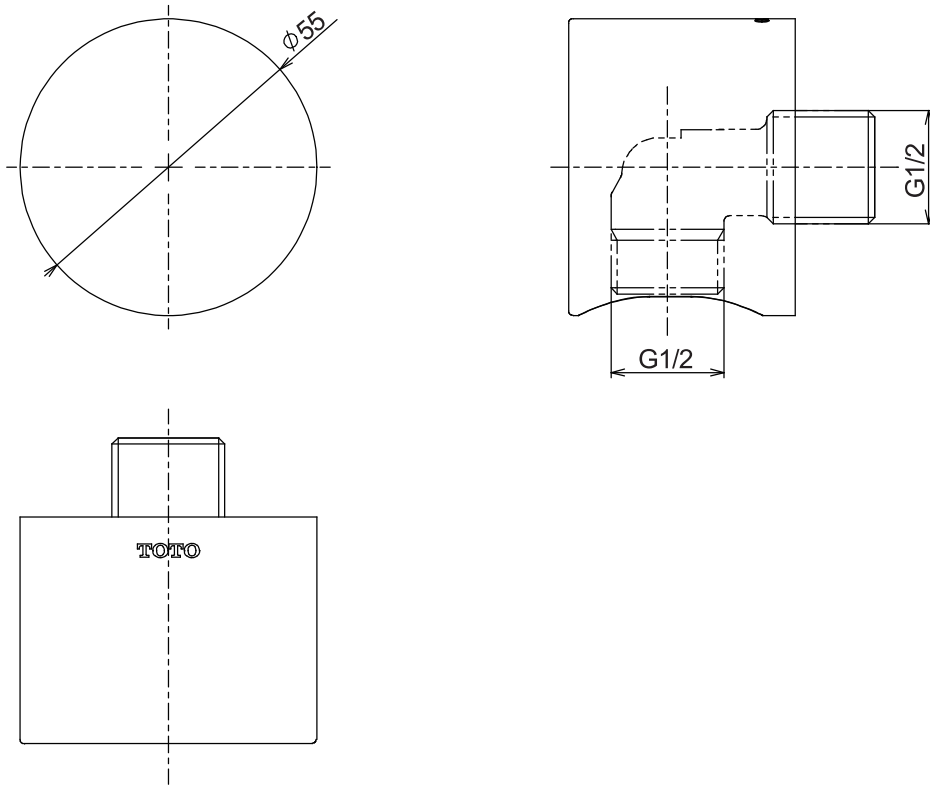
Maintenance

In order to maintain the decent appearance of the product for a long time, please maintain it according to the following methods.

1. Wipe with a soft cloth often, or wipe with a soft cloth with water occasionally.
2. When there is dirt and it is obvious, please wash it with water thoroughly after wiping it with neutral detergent.

Product Structure Diagram

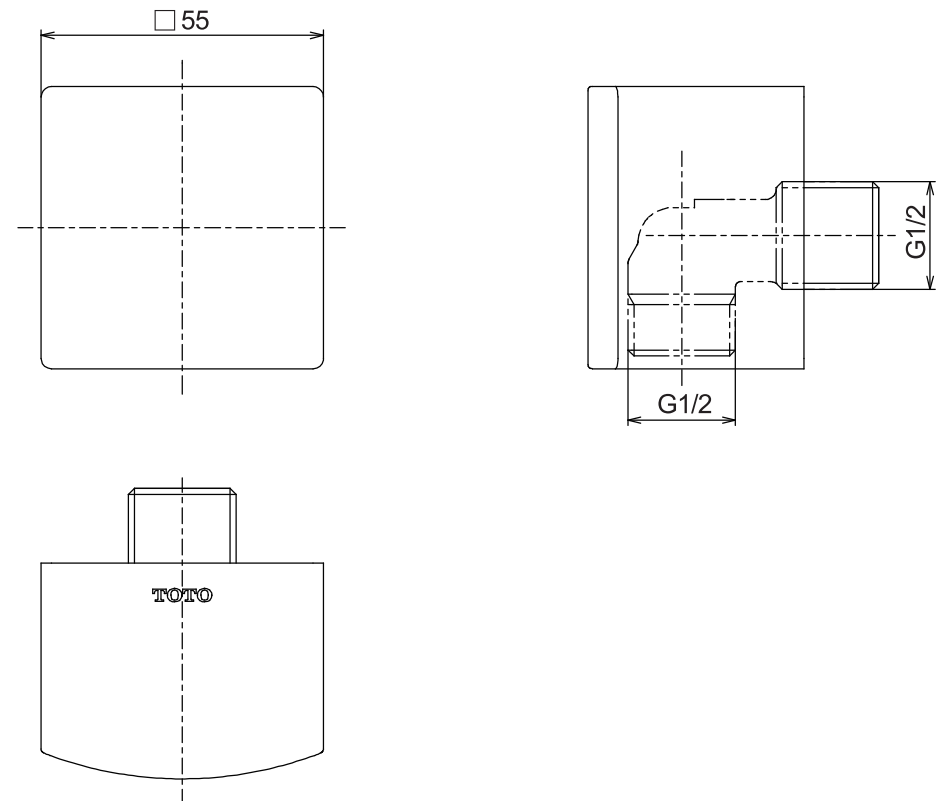
TBW07020* Wall Outlet (round)



Note: The unit of size in the figure is mm
The size in the()is the reference size

Product Structure Diagram

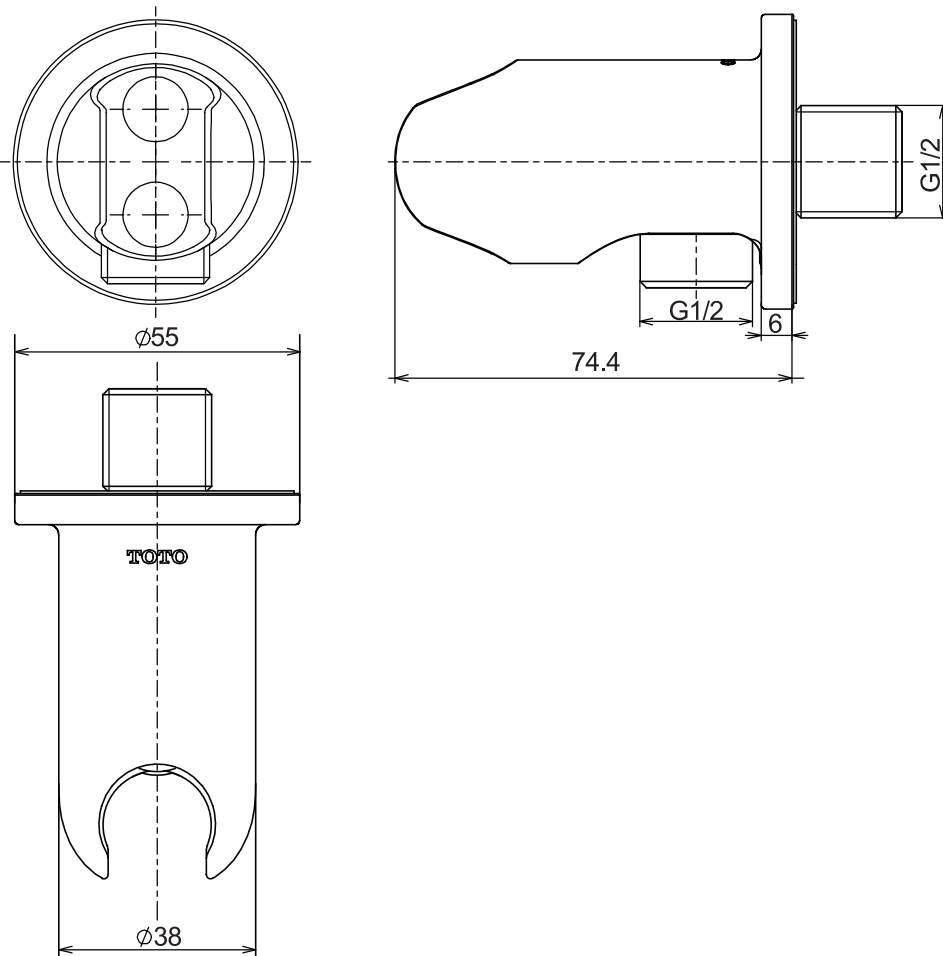
TBW08009* Wall Outlet (square)



Note: The unit of size in the figure is mm
The size in the()is the reference size

Product Structure Diagram

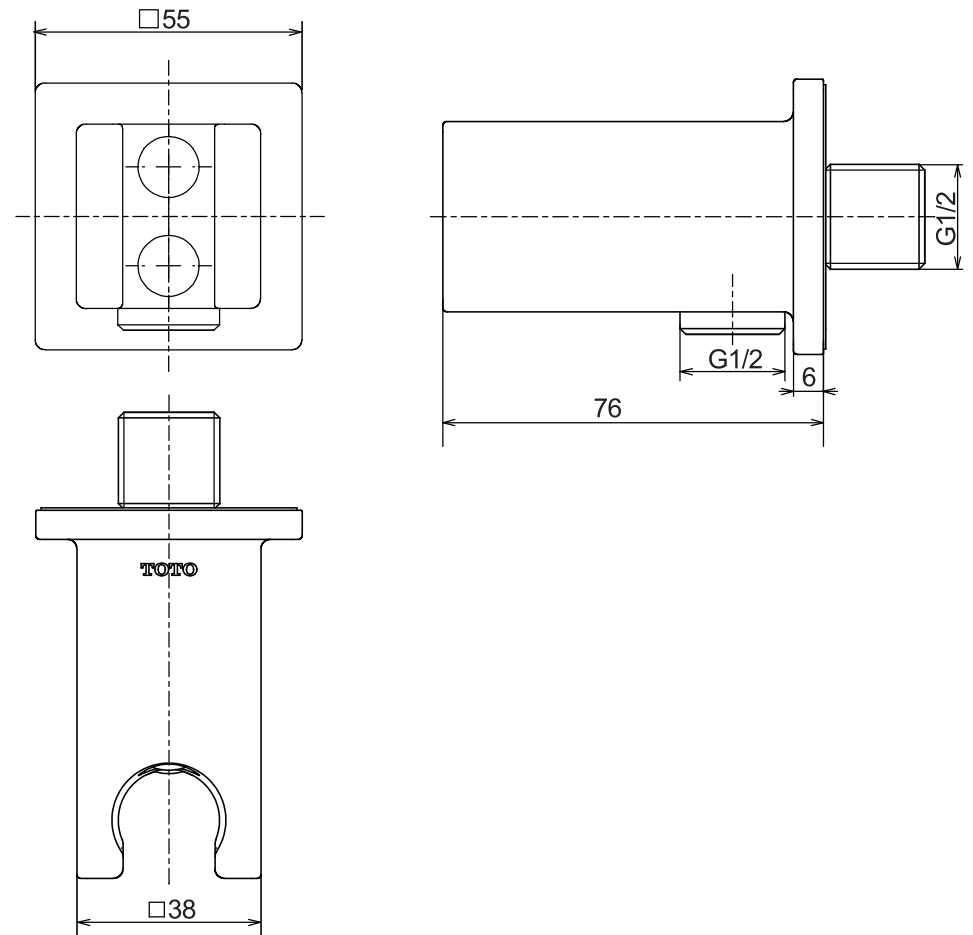
TBW07021* Handshower Bracket Outlet (round)



Note: The unit of size in the figure is mm
The size in the()is the reference size

Product Structure Diagram

TBW08010* Handshower Bracket Outlet (square)

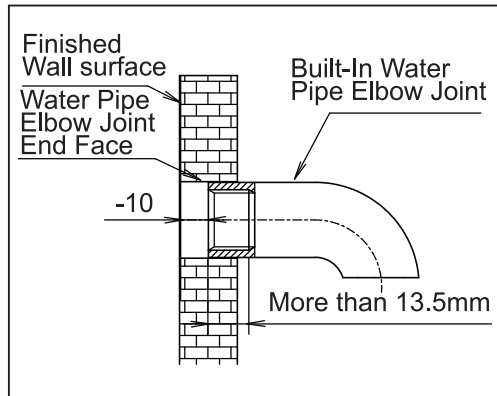


Note: The unit of size in the figure is mm
The size in the()is the reference size

Installation of Wall Outlet

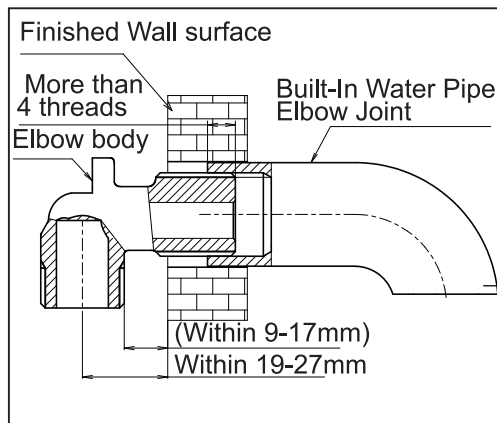
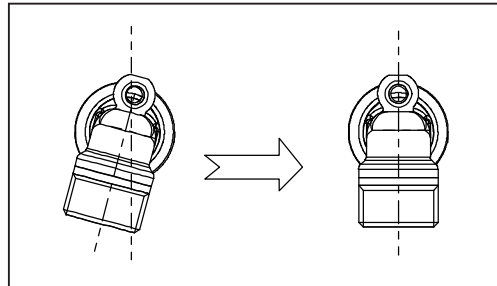
1. Installation of Built-In Water Pipe Elbow Joint (as shown on the right)

- (1) End face of built-in water pipe elbow joint is -10~0mm away from finished wall surface.
 - (2) Please ensure the effective depth of built-in water pipe elbow joint thread to be more than 13.5mm; otherwise, the escutcheon or handshower bracket outlet cannot be installed because of improper installation distance.
2. Cleaning in the water supply pipe
Before installation, be sure to flush foreign matter such as dust and gravel in the water supply pipe.



3. Installation of the Water Pipe Elbow Joint

1. Installation of the Water Pipe Elbow Joint (as shown on the right)
- (1) Apply adequate Teflon tape to the water pipe elbow joint threads, then screw the elbow into the built-in water pipe elbow joint, and adjust to the vertical direction.
- (2) Please screw in the elbow for at least 4 complete rotations (4 threads) to ensure sealing. At the meantime, adjust the distance from the center of elbow thread to the finished wall surface within 19~27mm; otherwise, the escutcheon or handshower bracket outlet cannot be installed.

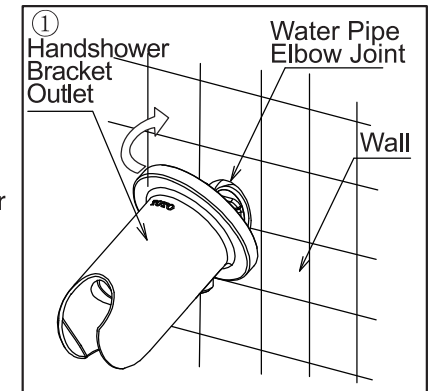


Installation of Wall Outlet

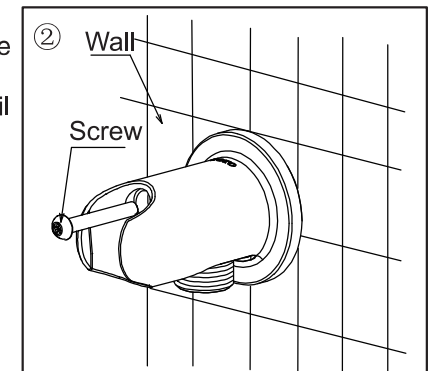
2. Installation of the Handshower Bracket Outlet and Escutcheon

- (1) Installation of the Handshower Bracket Outlet (e.g. TBW07021*), as shown on the right.

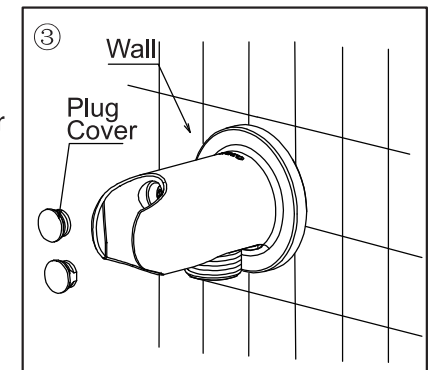
- ① Along the wall, insert the handshower bracket outlet from the lower end of water pipe elbow joint. Then lift the handshower bracket outlet, and then join the back of the support to the wall.



- ② Let the screw pass through the screw hole on the support to join with the water pipe elbow joint threads, and then screw in until the handshower bracket outlet is fastened onto the wall with no rotation.



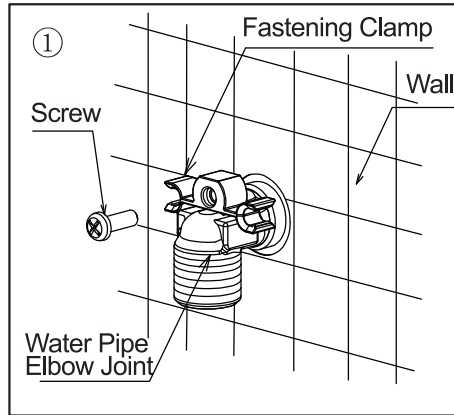
- ③ Adjust the direction of the handshower bracket outlet. Finally, add the two plug covers to the two holes of the handshower bracket outlet.



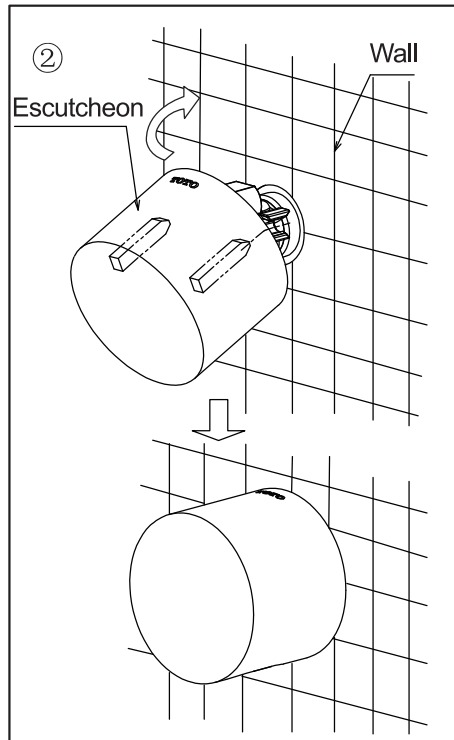
Installation of Wall Outlet

(2) Installation of the Escutcheon (TBW07020*), as shown on the right

① Fasten the fastening clamp on the water outlet elbow with screws.



② Let the water outlet elbow pass through the escutcheon, and completely slide the escutcheon over the elbow until upright with the wall surface.



TOTO Asia Oceania Pte. Ltd.

Telephone: 65-6744-6955

FAX: 65-6841-0819

Address: 10 Eunos Road 8 #12-07 Singapore Post Centre
Singapore 408600

Website: asia.toto.com

TOTO KOREA LTD.

전화번호 : (02)-3141-8236

FAX 번호 : (02)-3141-8240

주소 : 서울시 마포구 토정로 112(상수동, 로이코빌딩 3층)

홈페이지 : <http://kr.toto.com>