

Instructions for operation

Before using product, read these instructions for operation carefully and retain it for future reference.

TOTO

TOTO

OG548Y
2021.10

Contents

Contents

Contents	1
Included Parts	2
Use condition and attentions in use.....	3
Attentions in use and maintenance	4
Product schematic diagram	5
Dismantle and inspection	6
Product Warranty Card	7

Included Parts

Included Parts

Escutcheon	1 set
Valve Body	1 set
Wall Embedded Attachment	1 set
Screw.....	4 pc
Instructions for construction.....	1 booklet
Instructions for operation	1 booklet

Products using this specification include:
TBW08008* "G"Body Shower(Ctp)


Use condition and attentions in use


Use condition

1. Cold water supply*hot water supply pressure:
Minimum pressure.....0.05MPa (flow pressure)
Maximum pressure.....0.75MPa (static pressure)
2. The temperature for water supply is 4~60°C. It is suggested to use the temperature below 60°C. Do not use steam to supply hot water.
3. The ambient temperature when using the product should be above 0°C and below 60°C. If the temperature is not above 0°C, deformations, cracking due to frost, etc. may occur in the handheld sprayer. Likewise, temperatures over 60°C may result in damage to the internal components of the handheld sprayer.
4. To prevent internal sprinkler damage, the water outlet temperature on the sprinkler side shall not exceed 60°C. It is suggested to use a temperature below 45°C.
5. Being out of use for a long time may result in internal and external rust to the faucet and being unable to be used.
6. If you want to scrap this product, do not treat it as you do for general household garbage. Please follow relevant statutes to have it treated, recovered and collected appropriately by an independent recovery system.
7. The product in these instructions has a cleaning function.

※ In order to achieve the best results of installation and usage, it is recommended that Body Spray be used together with other "TOTO" series products.

Attentions in use

 Warning: it means that ignoring this mark and misoperation may cause serious personal injury and death.

 Attention: it means that ignoring this mark and misoperation may cause personal injury or property loss.

Warning

1. Children are not allowed to use or can use only under the custody of adult. Special groups such as the aged and disabled should be accompanied by those with behavioral competence when using it.
2. The hot water supply side of the water nozzle may be in a condition of high temperature. DO not allow skin to come in contact with the hardware surface directly. Otherwise, scalding may occur.
3. Do not use steam to supply hot water. Otherwise, scalding may occur.
4. The water temperature will change when switch from spout to shower or switch from shower to spout. The user should test it by hand. Otherwise, scalding may occur.

Attentions in use and maintenance

Attentions

1. Do not impact the product. Otherwise, failure, water leakage may occur.
2. It is imperative to use a neutral detergent in cleaning. Other detergents than a neutral one may damage the plating coat or make the surface discolor.
3. Do not use any such detergent as acidic detergent and abstergent, polishing powder, etc. containing thick particles and nylon brush. Otherwise, the plating coat may be damaged, etc.
4. It is allowed to use a piece of soft cloth to wipe or use from time to time a piece of cloth immersed in machine oil or vehicle wax to wipe. However, do not contact with resin components. Otherwise, they may lose the gloss and become rusty.
5. It is suggested not to leave it unused for a long time. Otherwise, this may lead to internal and external rust to water nozzle to such a degree that it cannot be used any more, etc.
6. With the product design being updated constantly, the physical object may not coincide with the figure. However, the basic principle for installation, use is the same.
7. When using in places where icing may occur, anti-freezing measures must be taken. The parts will be damaged due to icing, which may cause water leakage and property loss. Damages caused by icing are repaired for a fee even during the warranty period. Please ensure that the ambient temperature of the product is always above 0°C.
8. When using multiple sets of body sprays in the same location at the same time, be sure to use pressurized equipment, otherwise the nozzle will not be able to rotate normally due to low pressure.

Anti-freezing measures

When using in places where icing may occur, anti-freezing measures must be taken.

1. The parts will be damaged due to icing, which may cause water leakage.
2. Damaged parts caused by icing are repaired for a fee even during the warranty period.
3. After the construction is completed or when it is not used for a long time, prepare to prevent sudden drop of temperature and prevent the product from icing.
4. Because of the risk of icing, please ensure that the ambient temperature of the product is always above 0°C.

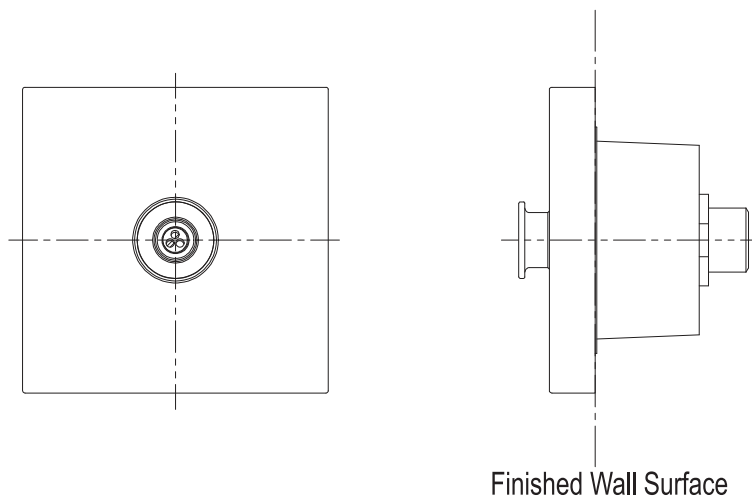
Maintenance

To maintain a beautiful appearance of the product, the user is requested to conduct maintenance and care in the following method.

1. Wipe with a piece of soft cloth frequently and use a piece of soft cloth dipped in water to wipe from time to time.
2. When dirt exists obviously, please use water to wash sufficiently after wiping with a neutral detergent.

Product schematic diagram

TBW08008* "G"Body Shower(Ctp)

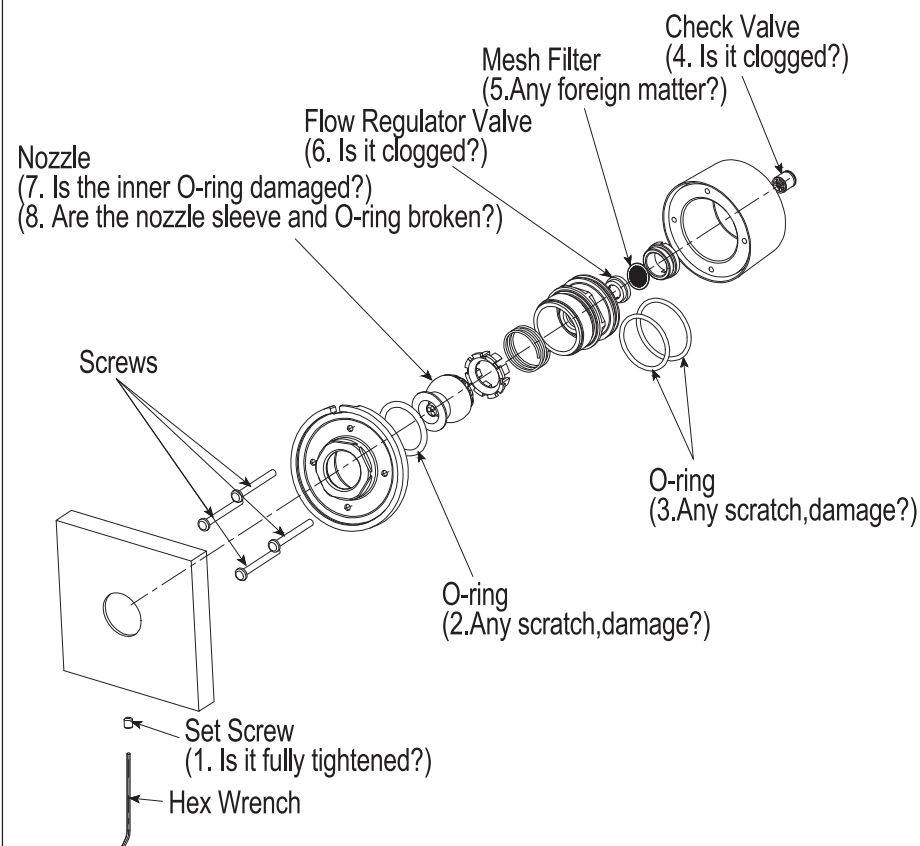


Dismantle and inspection

TBW08008*

Issues	Inspecting Items
Water flows without stop and water leakage	2、3、7
Water flows is small	4、5、6
The decorative plate sways	1
Nozzle rotation is poor	8

In case of any failure after installation, please remove according to the following main points. (In case of removing any of the spare parts and components not removed in this diagram, please contact with relevant service staff for removal)



Product Warranty Card

User	
Sales and Installation Stores	
Date of Purchase	
Warranty Period	The body and valve spool warranty is valid for 5 years from the date of purchase, and the remaining parts are warranted for 1 year.

- * If the contents in the above column are not complete, the product warranty card shall be deemed as invalid. Therefore, user should confirm the contents put in at the time of buying.
- * The items covered in this product warranty card are only limited to repair to those free repair items as agreed in the product warranty card.
- * During the warranty period, if the product breaks down (such as water leakage, oozing), please call after sale service to request repairs.

Repair Regulations

1. During the warranty period, if the user uses the products of the company correctly according to relevant instructions, adhesive labels, the company will provide free repair to any faulty product.
2. If damage occurs in the warranty period is required to be repaired for free, please call after sale service to request repairs.
3. Within the warranty period, the repair in the following occasions is paid repair.
 - ① Any failure and damage due to any improper use or any improper repair and modification conducted privately.
 - ② Any failure and damage resulting from any carelessness or fault in installation construction.
 - ③ Any failure and damage attributed to such reasons as removal for relocation after installation, etc.
 - ④ Any failure and damage due to using this product in occasions beyond the specified scope of use (for example, home commodity is used for any business purpose).
 - ⑤ Any damage caused by sand grains or dirt, etc.
 - ⑥ Such adverse results as dirtiness, plating part rusting, etc. attributed to improper daily maintenance and care.
 - ⑦ Any failure and damage due to fire, earthquake, flood, lightning strike and other natural disasters, public nuisances, gas damage (liquefied gas), salt damage and abnormal voltage, use of any power supply (voltage, frequency) other than the specified ones, etc.
 - ⑧ The occasions not specified in this warranty.
 - ⑨ The occasion in which the user name, sales shop, installation shop or buying date is not filled in.
 - ⑩ No buying invoice can be presented.
 - ⑪ Failure caused by icing.
4. The warranty card is valid within the territory of the People's Republic of China.
(Excluding Hongkong, Macao and Taiwan)
5. This product warranty card shall not be reissued when being lost. Customers are requested to keep it properly.

TOTO Asia Oceania Pte. Ltd.

Telephone:65-6744-6955

FAX: 65-6841-0819

Address: 10 Eunos Road 8 #12-07 Singapore Post Centre
Singapore 408600

Website:asia.toto.com

TOTO KOREA LTD.

전화번호 : (02)-3141-8236

FAX 번호 : (02)-3141-8240

주소 : 서울시 마포구 토정로 112(상수동, 로이코빌딩 3층)

홈페이지 : <https://kr.toto.com>