

TOTO

FAUCETS

Biptap Faucet 2 way

TTWR102-1



FEATURES

- Stylish design with organic shape exclusively for REI- Round series
- Durable finishes

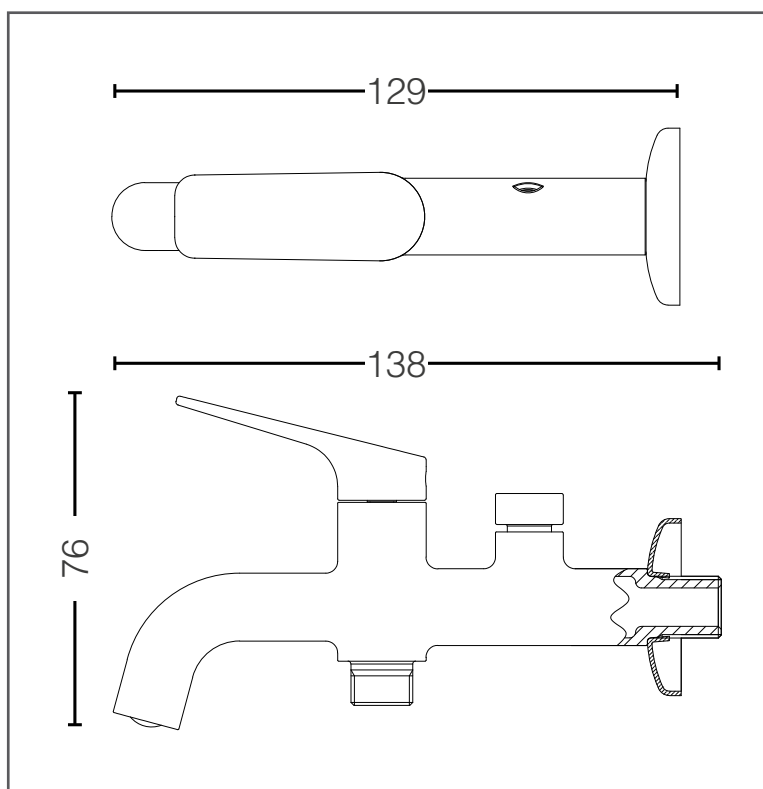
SPECIFICATIONS

- Water Pressure : 0.25MPa ~ 0.75MPa
- Finish : Nickel Chrome
- Material : Brass
- Size : 138W x 129D x 76H mm

PARTS DISCRPTION

- TTWR102-1 : Biptap Faucet 2 way

TTWR102-1



Please consult, TOTO representative for more details.

All rights reserved by TOTO including but not limited to Improve & Change of Product Design, Specs or Availability at any time without prior notice