

TOTO

FAUCETS

Biptap Faucet 1 way

TTWR102



FEATURES

- Stylish design with organic shape exclusively for REI- Round series
- Durable finishes

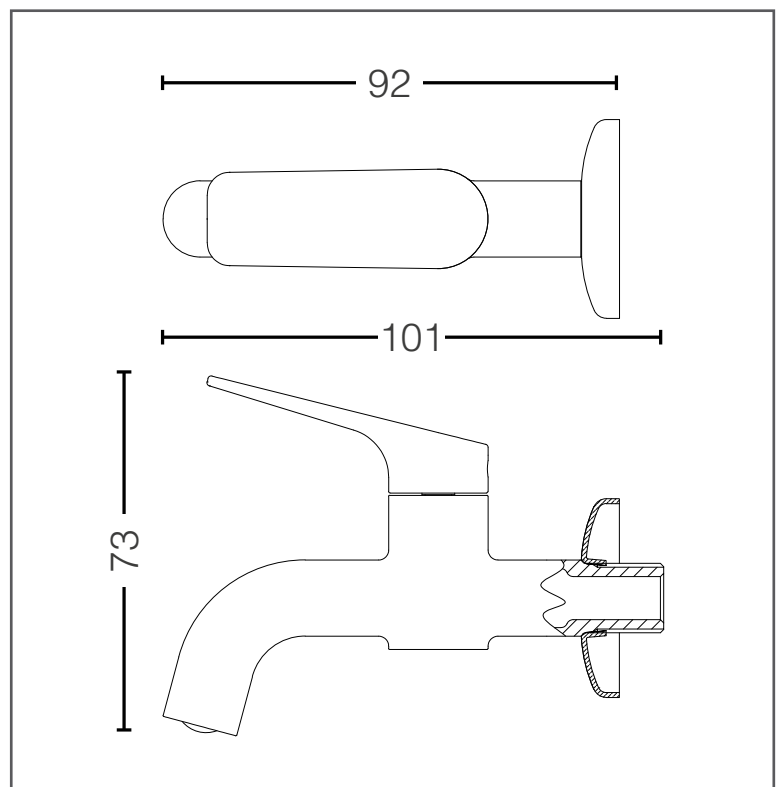
SPECIFICATIONS

- Water Pressure : 0.25MPa ~ 0.75MPa
- Finish : Nickel Chrome
- Material : Brass
- Size : 101W x 92D x 73H mm

PARTS DISCRPTION

- TTWR102 : Biptap Faucet 1 way

TTWR102



Please consult, TOTO representative for more details.

All rights reserved by TOTO including but not limited to Improve & Change of Product Design, Specs or Availability at any time without prior notice