

# TOTO Toilet

Wall Hung Toilet With  
WASHLET RW

**CW542EMUNW1/  
TCF802C2Z#NW1**



## FEATURES

- CEFIONTECT Technology: super smooth, ion barrier glazing for a clean toilet bowl
- TORNADO FLUSH for powerful flushing with less amount of water
- RIMLESS DESIGN bowl ensures easy cleaning and ultimate hygiene
- EWATER+ keeps nozzle and bowl clean with sanitizing effect against bacteria
- Fully equipped with rear, front and oscillating & pulsating cleansing function
- Temperature control HEATED SEAT
- PREMIST a fine spray of mist making it difficult for dirt to adhere
- Auto lid opening and closing
- EWATER+ is made from tap water by electrolyzed chloride ion. After use, it returns back to ordinary state of water

## SPECIFICATIONS

- Water Use : 4.5/3L
- Shape : D shape
- Flush System : TORNADO FLUSH
- Size : 383W x 579D x 108H mm

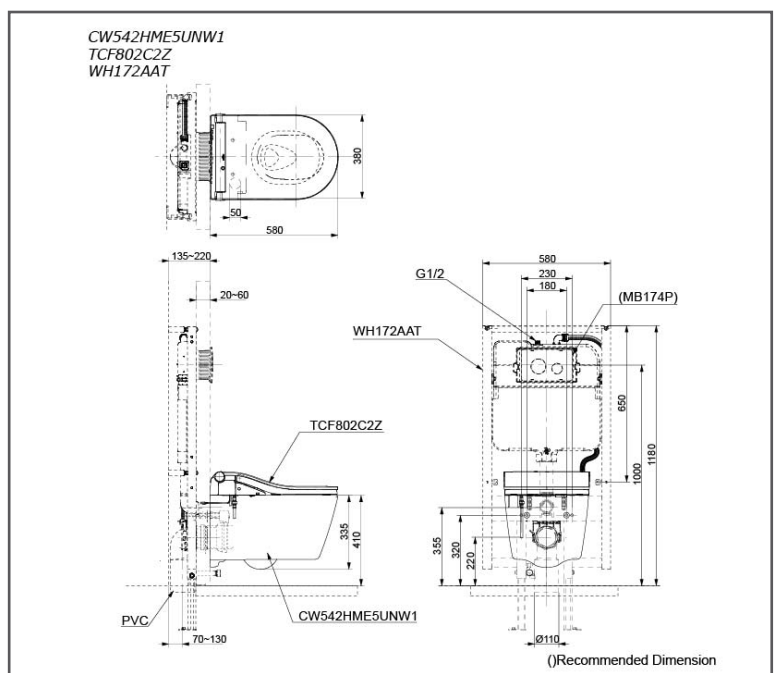
## PARTS DESCRIPTION

- CW542EMUNW1 : D-Shape wall hung toilet
- TCF802C2Z#NW1 : WASHLET RW
- TX215C : Slip in Connector

## COLORS

White (CEFIONTECT)

CW542EMUNW1/TCF802C2Z#NW1



Please consult, TOTO representative for more details.

All rights reserved by TOTO including but not limited to Improve & Change of Product Design, Specs or Availability at any time without prior notice