

TOTO Bathtub

ENAMELED CAST IRON
FREE STANDING BATHTUB

FBY1614HPTE#W



FEATURES

- Fully exposed design, with Full-Apron, luxurious and majestic
- Cast iron construction provides years of durability
- Slip-resistant surface
- Handgrip on 1 side (FBY1614HPTE#W)

SPECIFICATIONS

- Material : Enameled Cast Iron
- Actual Capacity : 185L
- Size : 1650 X 900 X 565mm
- Waste Fitting : Included (Metal Waste Fitting)

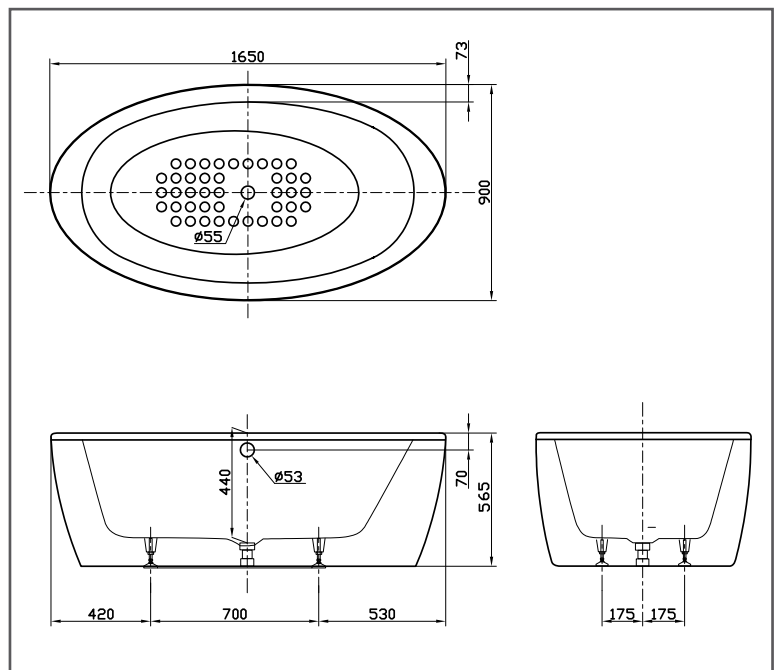
PARTS DESCRIPTION

- FBY1614HPTE#W : Enameled Cast Iron Free-Standing Bathtub with Hand-Grips/ with Full-Apron
Waste Fitting Included

COLOURS

White(#W)

FBY1614HPTE#W



Please consult, TOTO representative for more details.

All rights reserved by TOTO including but not limited to Improve & Change of Product Design, Specs or Availability at any time without prior notice