

TOTO Bathtub

ENAMELED CAST IRON
FREE STANDING BATHTUB

FBYN1716CPTE#W



FEATURES

- Fully exposed design, with Full-Apron luxurious and majestic
- Cast iron construction provides years of durability
- Slip-resistance surface
- Streamline Hand grip on 1 side (FBYN1716CPTE#W)

SPECIFICATIONS

- Material : Enameled Cast Iron
- Actual Capacity : 187L
- Size : 1700W x 750D x 537H mm
- Waste Fitting : Included (Metal Waste Fitting)

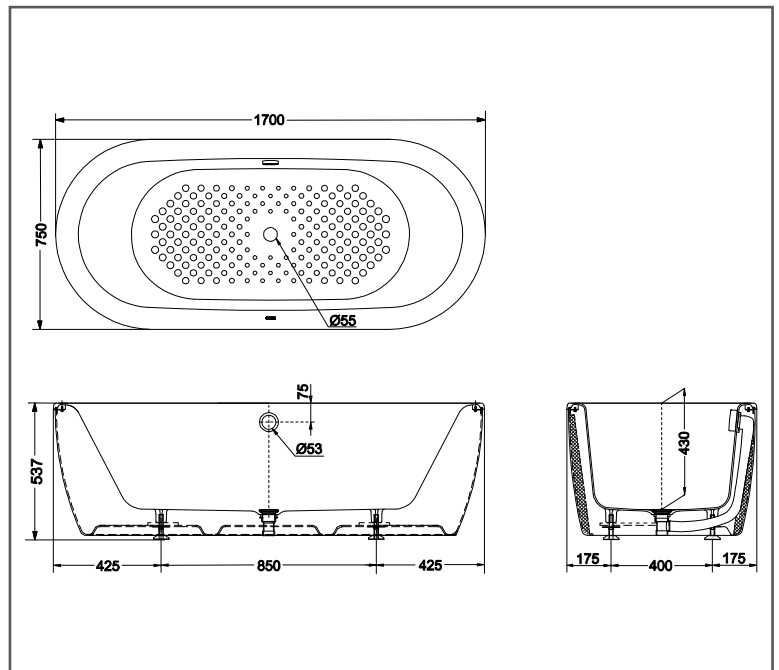
PARTS DESCRIPTION

- FBYN1716CPTE#W : Enameled Cast Iron free standing Bathtub without Hand Grip, Waste Fitting Included

COLOURS

White(#W)

FBYN1716CPTE#W



Please consult, TOTO representative for more details.

All rights reserved by TOTO including but not limited to Improve & Change of Product Design, Specs or Availability at any time without prior notice