

# TOTO

## SMART TOILET

### NEOREST LS (S Trap)

CS911VT#NW1 /  
TCF87120GIN#NW1



## FEATURES

- New TORNADO FLUSH uses less water to produce powerful streams of water that travels along a hairpin curve of new RIMLESS DESIGN bowl creating a 360 degree of cleaning that washes every spot.
- PREMIST a fine spray of mist making it difficult for dirt to adhere.
- EWATER+ not only keeps toilet bowl and nozzle clean by preventing bacterial with sanitizing effect but is also sprayed under the seat to prevent other accumulated waste, ensures a long-lasting cleanliness.
- Automatic operation: Lid opens, closes and toilet flushes when sensor is activated.
- AIR-IN WONER-WAVE uses air rich water droplets to produce comfortable cleaning sensation.
- HEATED SEAT with temperature control.
- Auto powerful DEODORIZER activates after every usage.
- Adjustable WARM AIR DRYING.
- Hybrid Ecology System - WATER SAVING.

## SPECIFICATIONS

• Flush System	:	TORNADO FLUSH
• Water Use	:	3.8L / 3.0L
• Rough-in	:	305 mm
• Bowl Shape	:	D Shape
• Water Pressure	:	0.25MPa~0.75MPa
• Power Rating	:	220~230V, 50/60Hz, 835~863W
• Length of Power Cord	:	1.2 M
• Material	:	Bowl - Vitreous China WASHLET - PP Remote Controller - Aluminum
• Size	:	411W x 725D x 497H mm

\* Recommended for Auto Water Pressure Pump 2.5 Bar (0.25 MPa).

\* Recommended for Voltage Stabilizer 1.0 KVA to avoid Power supply voltage Fluctuation.

\* Recommended for - Soft water CaCO<sub>3</sub><50ppm, TDS<300 ppm (mg/l).

\*\*Recommended NOT to USE Black Colored or DARK Colored Wall & Floor Tiles/Marbles and NO BLACK/DARK Colored CEILING or FALSE CEILING, interior of WC BOOTH or TOILET KIOSK. Remote Controller IR SIGNAL STRENGTH REDUCED & ABSORVED on DARK SURFACE. So Neorest\_Washlet Cannot be Operational with Remote Controller.

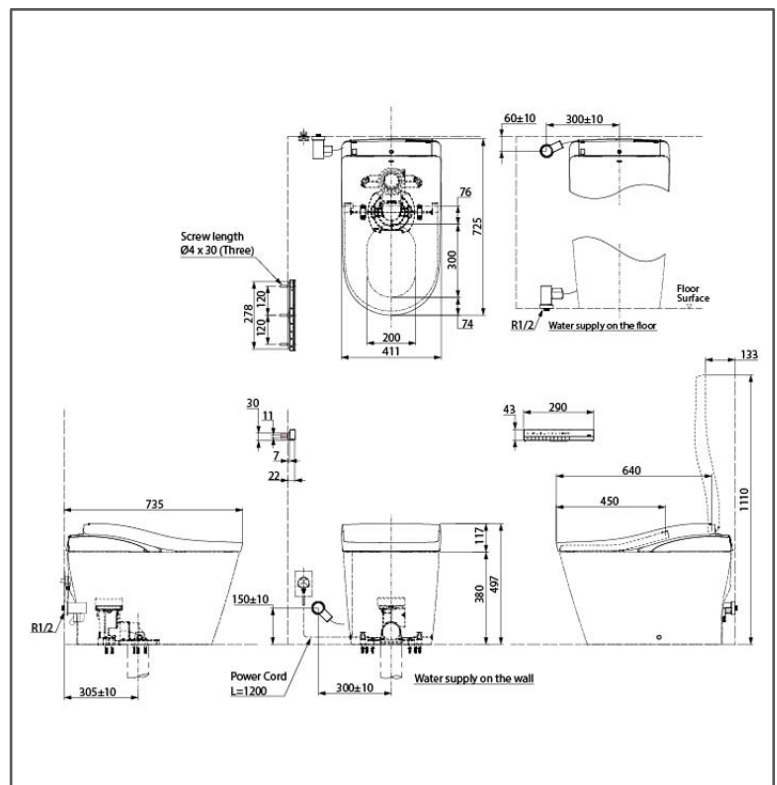
## PART DESCRIPTION

- |                   |   |   |
|-------------------|---|---|
| • CS911VT#NW1     | : | NEOREST LS (S Trap) Bowl                              |
| • TCF87120GIN#NW1 | : | NEOREST LS WASHLET with BIS Power Plug (AC 220 Volts) |

## COLOURS

- White (#NW1)

CS911VT#NW1 /TCF87120GIN#NW1



Please consult, TOTO representative for more details.

All rights reserved by TOTO including but not limited to Improve & Change of Product Design, Specs or Availability at any time without prior notice  
Design, Specs or Availability at any time without prior notice