

TOTO

SMART TOILET

NEOREST LS (P Trap)

**CS911PVT#NW1 /
TCF87120GIN#NW1**



FEATURES

- New TORNADO FLUSH uses less water to produce powerful streams of water that travel along a hairpin curve of new RIMLESS DESIGN bowl creating a 360 degree of cleaning that washes every spot.
- PREMIST a fine spray of mist making it difficult for dirt to adhere.
- EWATER+ not only keeps toilet bowl and nozzle clean by preventing bacterial with sanitizing effect but is also sprayed under the seat to prevent other accumulated waste, ensures a long-lasting cleanliness.
- Automatic operation: Lid opens, closes and toilet flushes when sensor is activated.
- AIR-IN WONER-WAVE uses air rich water droplets to produce comfortable cleaning sensation.
- HEATED SEAT with temperature control.
- Auto powerful DEODORIZER activates after every usage.
- Adjustable WARM AIR DRYING.
- Hybrid Ecology System - WATER SAVING.

SPECIFICATIONS

• Flush System	:	TORNADO FLUSH
• Water Use	:	3.8L / 3.0L
• Rough-in	:	120-130 mm
• Bowl Shape	:	D Shape
• Water Pressure	:	0.25MPa~0.75MPa
• Power Rating	:	220~240V, 50/60Hz, 835~863W
• Length of Power Cord	:	1.2 M
• Material	:	Bowl - Vitreous China WASHLET - PP Remote Controller - Aluminum
• Size	:	411W x 725D x 497H mm

Recommended to Use

1. Voltage Stabilizer (1.0 KVA) against to avoid Power Fluctuation.
2. Clean Treated water - Degree of Hardness < 50ppm or TDS < 300 ppm
3. Automatic Water Pressure Pump - Min. Required Pressure - 2.50 Bar (0.25 MPa)

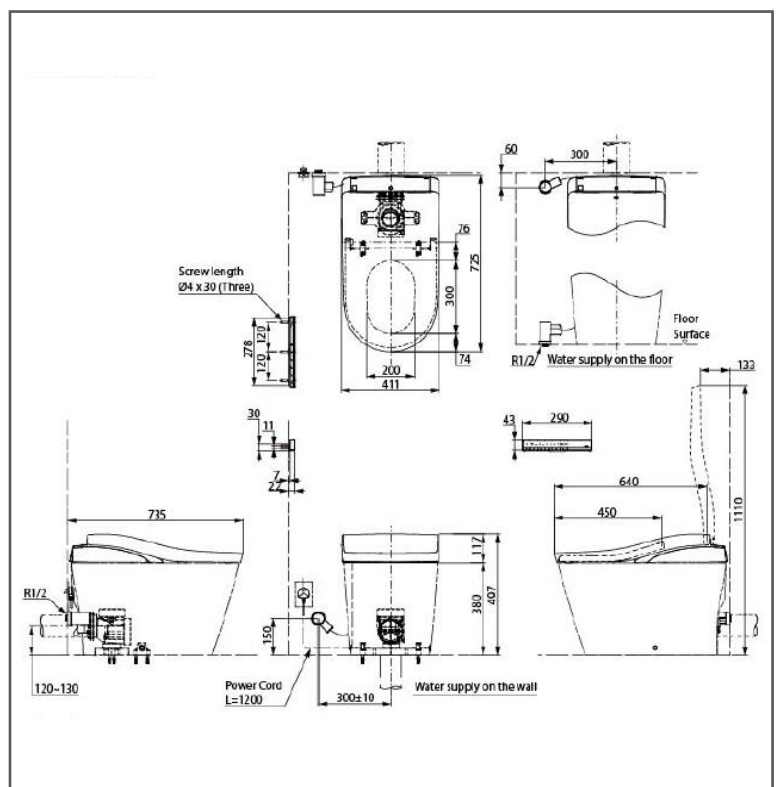
PART DESCRIPTION

- CS911PVT#NW1 : NEOREST LS (P Trap) Bowl
- TCF87120GIN#NW1 : Neorest LS Washlet with BIS Power Plug (AC 220 Volts)

COLOURS

- White (#NW1)

CS911PVT#NW1 / TCF87120GIN#NW1



Please consult, TOTO representative for more details.

All rights reserved by TOTO including but not limited to Improve & Change of Product Design, Specs or Availability at any time without prior notice