

施工说明书 Installation Manual

安装产品前请仔细阅读本施工说明书，并保留备用。
Before installing the product, please read the Installation Manual carefully and keep it for future reference.

TOTO

TOTO

OG5531Y
2022.04

目录

目 录

目 录	1
明细单	2
使用条件、施工上的注意与保养	3
安装完成图	4-5
淋浴支架的安装	6
生产厂家与销售商	7

明细单

明 细 单

固定杆组品	1套
固定座+上装饰盖+下装饰盖	2套
自攻螺钉（2个）	2套
施工说明书	1本
使用说明书	1本

使用此明细单的产品包括：

TBW07018* 滑动式淋浴支架（950mm）

TBW07019* 滑动式淋浴支架（740mm）

使用条件、施工上的注意与保养

使用条件

1. 使用环境温度1℃以上。
2. 如果您需要废弃本产品，请勿将其作为一般生活垃圾处理，请依照法规经由独立的回收体系进行合适的处理、恢复和回收。
3. 本说明书的产品具有放置花洒及调节淋浴高度的功能。

使用上的注意

- ⚠警告** 表示如果无视此标志而误操作时，有可能造成人员重伤或死亡。
- ⚠注意** 表示如果无视此标志而误操作时，有可能造成人身伤害或财产损失。

⚠注意

1. 请勿撞击本产品，否则可能会造成故障。
2. 请务必安装在混凝土墙面，必须使用本产品自带的膨胀管和自攻螺丝进行安装，否则因安装不稳定导致产品掉落下来可能会造成人员受伤。
3. 安装结束后，请确认产品上是否有松动现象。产品有松动时，会造成产品脱落或墙面损坏而可能会导致使用者跌倒或受伤。
4. 随着产品式样的不断更新，实物存在与图示不符的情况，但基本安装、使用原理相同。

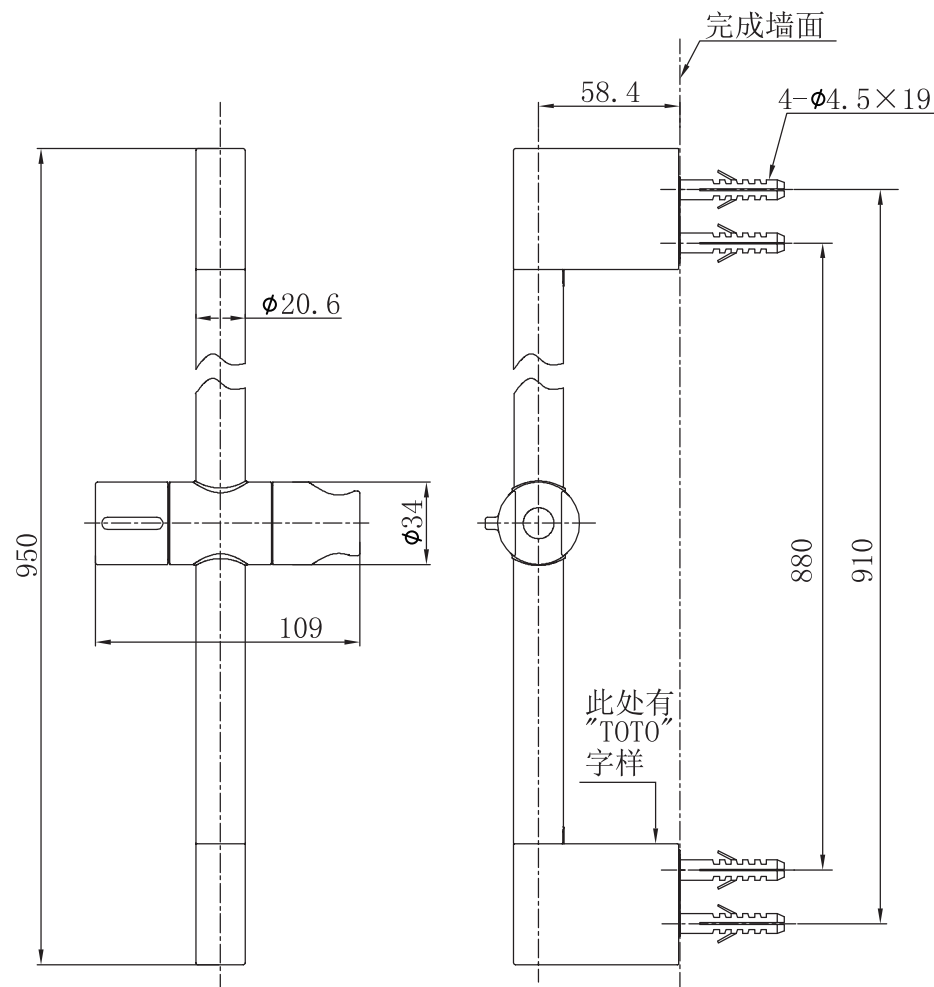
保养

为长期保持产品的美观，请用户按以下方法维护保养。

1. 经常用软布擦拭，间或用软布蘸水擦拭。
2. 当有污垢且较明显时，请用中性洗涤剂擦拭后充分进行水洗。

安装完成图

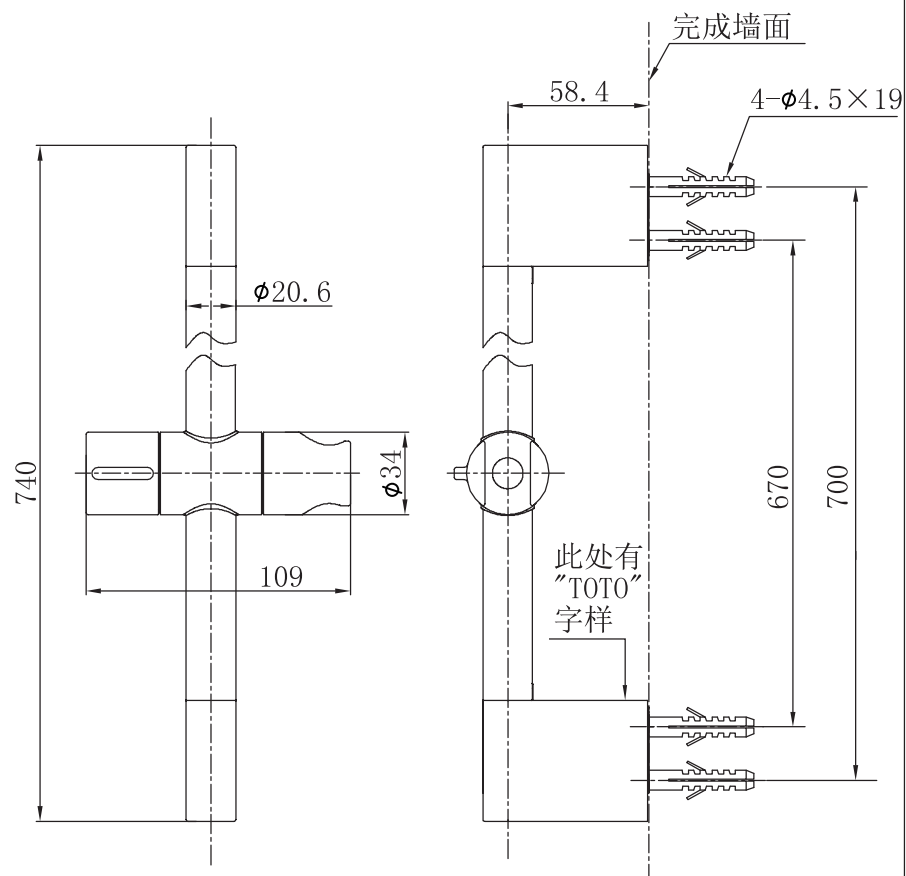
TBW07018* 滑动式淋浴支架（950mm）



注：上記尺寸单位为mm；

安装完成图

TBW07019* 滑动式淋浴支架 (740mm)



注：上記尺寸单位为mm；

淋浴支架的安装

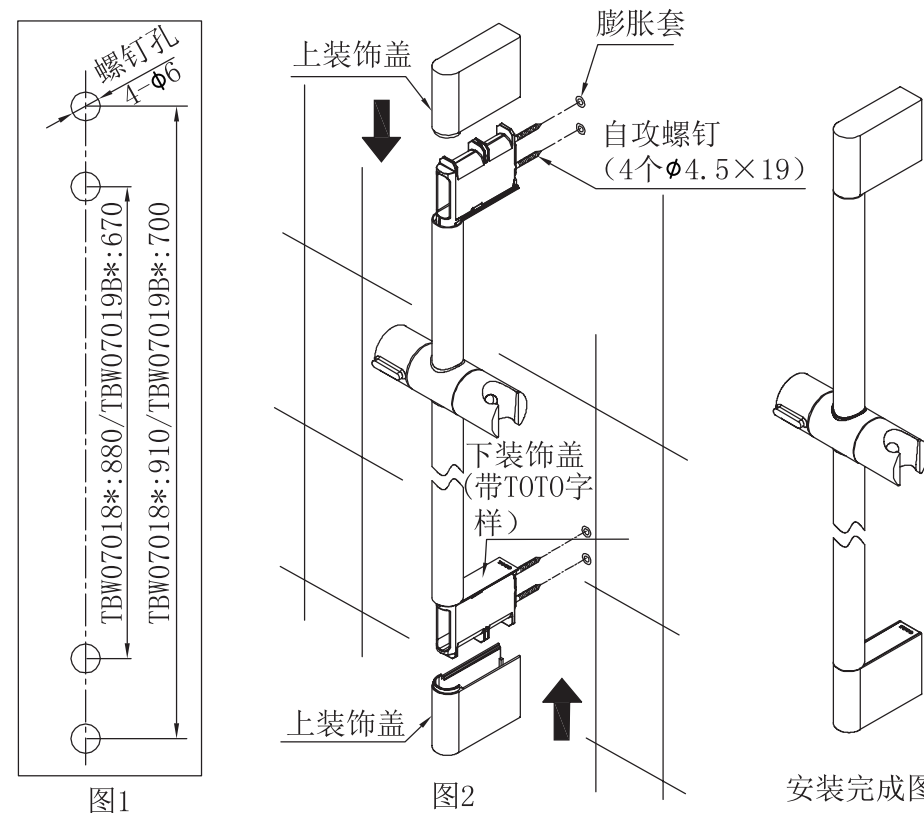
- 如图1，对照产品型号，在墙上合适位置打孔，保证4个孔在竖直方向，将膨胀套打入孔内。
- 如图2，将滑动式淋浴支架组装起来，固定座与杆的缺口要充分卡紧，用自攻螺钉将上、下两端的固定座固定在墙上，用螺丝刀拧紧；（注：由于塑料材质，注意力度，以免损坏固定座）按图示方向将两个上装饰盖与固定座充分卡紧，完成产品安装。

注意：①安装前请确保墙面平整，务必仔细确认好两固定座间的距离。

②安装或拆卸时不要划伤电镀表面。

③滑动座不可装反。（手柄在左侧，旋钮紧锁时手柄扭朝向自己）

④安装前要确保下装饰盖与固定座充分卡紧，带"TOTO"字样的下装饰盖要安装在下面的固定座上。



生产厂家与销售商

执行标准：QB/T 1560-2017

产品型号：见包装箱上的标签

产品名称：见包装箱上的标签

生产日期：见包装箱上的标签

组装工厂：东陶（大连）有限公司

电 话：（0411）87624386

厂 址：大连经济技术开发区东北二街17号

东陶（中国）有限公司

全国售后服务电话：800-820-9787（固定电话）

400-820-9787（手机用户）

销售商：东陶（中国）有限公司

地 址：北京市朝阳区光华路1号 北京嘉里中心北楼1915室

网 址：www.toto.com.cn

Table of Contents

Table of Contents

Table of contents	1
Specification	2
Conditions 、 Attentions and Maintenance for Installation	3
Installation Completion Diagram	4-5
Installation of the Shower Slide Bar ...	6

Specification

Specification

Slide Bar assembly	1 set
Fixed seat + Upper escutcheon + Lower escutcheon.....	2 sets
Tapping Screw (2pcs.)	2 sets
Installation Manual.....	1 booklet
User Manual.....	1 booklet

Products using this specification include:

TBW07018* "G" Sliding Rail 950

TBW07019* "G" Sliding Rail 740

Conditions, Attentions and Maintenance for Installation

Use conditions

1. The ambient temperature for use is above 1°C.
2. If you want to scrap this product, do not treat it as you do for general household garbage. Please follow relevant statutes to have it treated, recovered and collected appropriately by an independent recovery system.
3. The product in the present instructions has such a function as placing shower and adjusting the bath height.

Attention for Installation



Warning: Indicates that if you overlook this sign, causing misoperation, it may result in serious injury or death.



Attention: Indicates that if you overlook this sign, causing misoperation, it may cause personal injury or property damage.

Attention

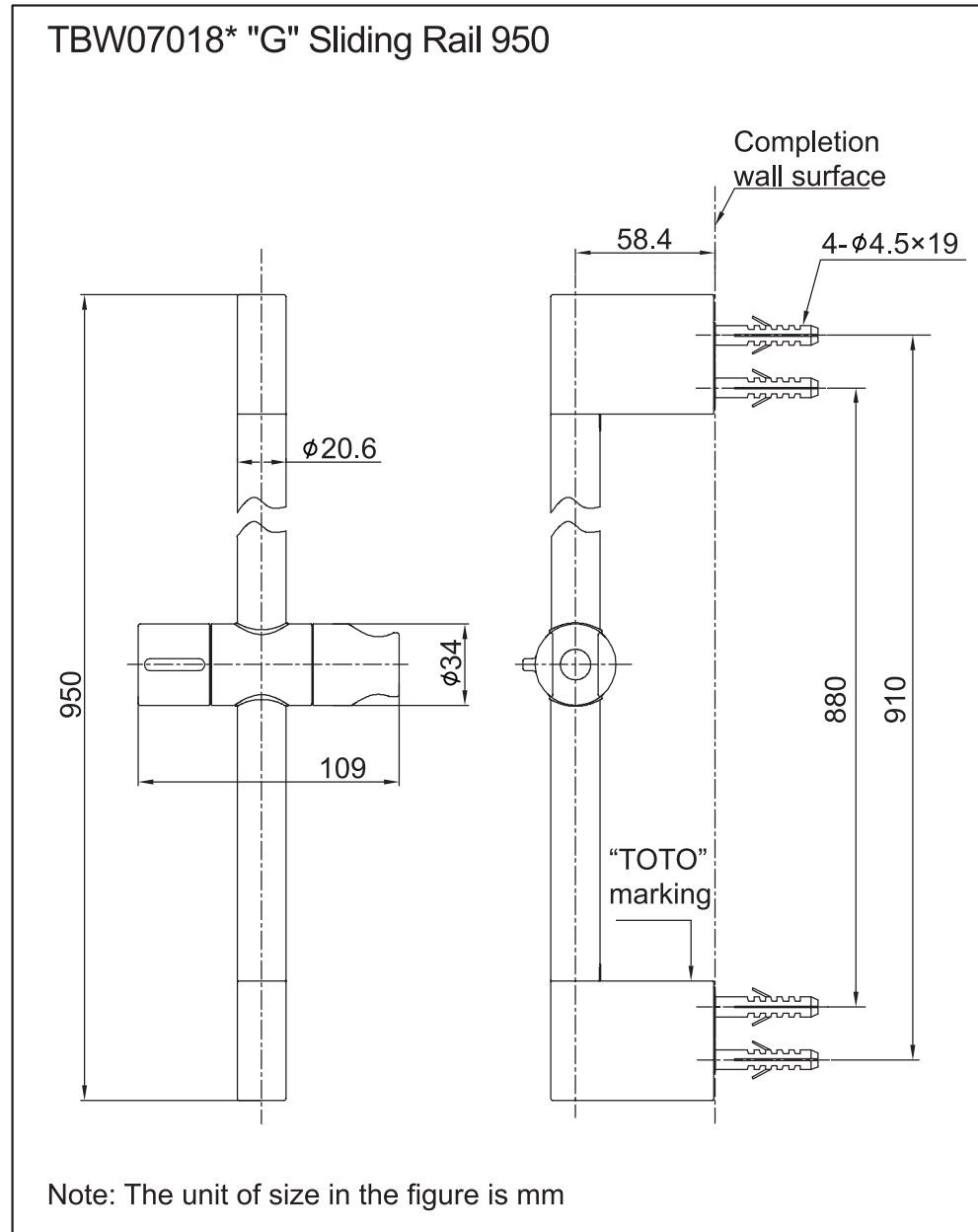
1. Do not hit this product; otherwise it may cause malfunction or water leakage.
2. Be sure to install the support onto the concrete wall. Be sure to use the wall anchors and tapping screws attached for the installation of the product. Otherwise, the product may weaken due to unstable installation, resulting in personal injury.
3. After installation is completed, please ensure that there are no loose parts on the product. Once becoming loose, the product may collapse or the wall may be damaged, and thus the user may fall down or get injured.
4. As the product model is constantly updated, the actual product may not look the same as it is shown in the diagram, but the basic installation and operation principles are the same.

Maintenance

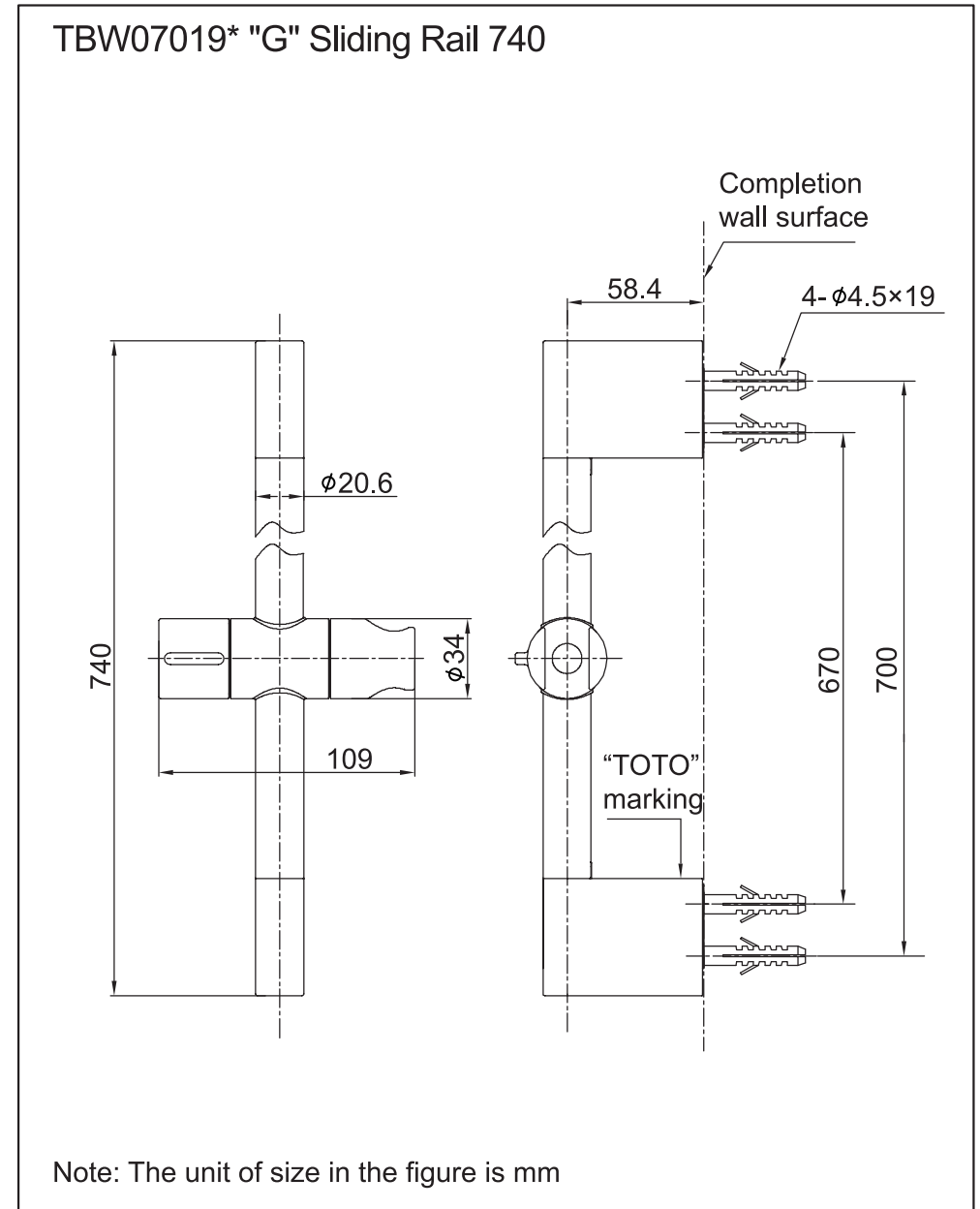
In order to maintain the decent appearance of the product for a long time, please maintain it according to the following methods.

1. Wipe with a soft cloth often, or wipe with a soft cloth with water occasionally.
2. When there is dirt and it is obvious, please wash it with water thoroughly after wiping it with neutral detergent.

Installation Completion Diagram



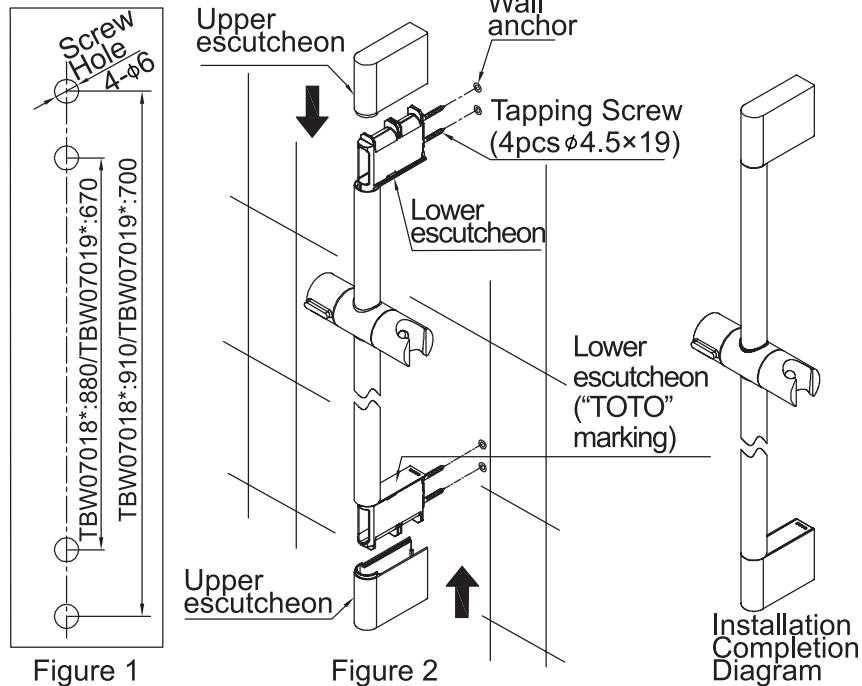
Installation Completion Diagram



Installation of the Shower Slide Bar

1. As shown in Figure 1, referring to the product model, drill holes at the right position on the wall, ensuring the 4 holes at the vertical direction, and tap the wall anchors in.
2. As shown in Figure 2, assemble the slide bar, clamp well the notches of the bracket and slide bar, then fasten the fastened brackets at the upper and the lower ends with tapping screws, and screw in with a screwdriver. (**Note: As the fastened brackets are made of plastics, be sure to operate gently to prevent from damaging the brackets.**) As shown in the figure, clamp well the two upper escutcheons with the fastened brackets to finish the product installation.

- Note:**
- ① Before installation, please ensure that the finished wall surface is flat, and be sure to check the distance between the two fastened brackets.
 - ② Do not scratch the chrome plating in the process of installation or disassembly.
 - ③ Do not install the slide seat wrongly. (Handle on the left; rotate the handle toward user when fastening.)
 - ④ Before installation, be sure to fully clamp the lower escutcheon with the fastened bracket. The lower escutcheon having "TOTO" should be installed onto the lower fastened bracket.



TOTO Asia Oceania Pte. Ltd.

telephone:65-6744-6955

FAX: 65-6841-0819

Address: 10 Eunos Road 8 #12-07 Singapore Post Centre

Singapore 408600

Website:asia.toto.com

TOTO KOREA LTD.

전화번호 : (02)-3141-8236

FAX 번호 : (02)-3141-8240

주소 : 서울시 마포구 토정로 112(상수동, 로이코빌딩 3층)

홈페이지 : <http://kr.toto.com>