

TOTO WASHLET

WASHLET

TCF4911EZ#NW1



iF
GOOD DESIGN
AWARD
2018



reddot award 2020
winner

FEATURES

- EWATER+ spreads out and keeps toilet bowl and nozzle clean by preventing bacteria growth
- Auto lid opening and closing
- Maximized comfort function with new wide front and pulsating cleansing
- Fully equipped with comfortable rear, front and oscillating cleansing functions
- Build-in with Motion Sensor - Microwave technology.
- Infrared Sensor for remote control capabilities
- Adjustable warm air dryer
- HEATED SEAT with temperature control
- Auto powerful deodorizer activates after every usage
- EWATER+ is made from tap water by electrolyzed chloride ion without any chemicals. After use, it returns to normal water in the state of safe and environmental friendly

SPECIFICATIONS

- Size : 383W x 532D x 125H mm
- Material : PP
- Shape : Elongated
- Water Pressure : 0.25 MPa <dynamic> - 0.75 MPa <static> *
- Power Rating : 220~230V** , 50/60Hz , 830~839W

* Recommended for Auto Water Pressure Pump 2.5 Bar (0.25 MPa).

* Recommended for Voltage Stabilizer 1.0 KVA to avoid Power supply voltage Fluctuation.

* Recommended for - Soft water CaCO₃<50ppm, TDS<300 ppm (mg/l).

* **Recommended NOT to USE Black Colored or DARK Colored Wall & Floor Tiles/Marbles and NO BLACK/DARK Colored CEILING or FALSE CEILING, interior of WC BOOTH or TOILET KIOSK. Remote Controller IR SIGNAL STRENGTH REDUCED & ABSORVED on DARK SURFACE. So Neorest_Washlet Cannot be Operational with Remte Controller.

PARTS DESCRIPTION

- TCF4911EZ#NW1 : Elongated

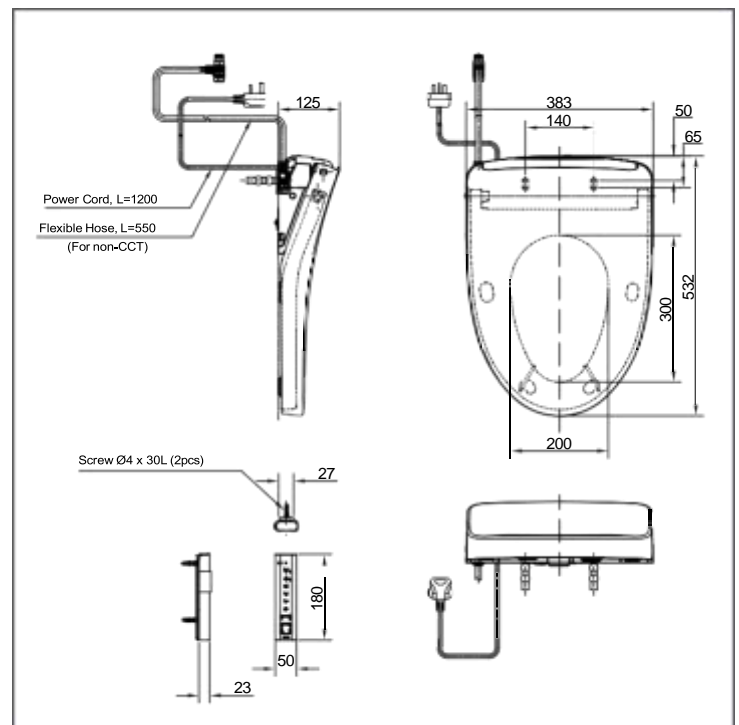
MATCHING TOILET

CW822NJWS#W, CW822M#NW1, C636CDE#XW, CW920K#XWH, CW192K#XWH.

COLOURS

White (NW1)

TCF4911EZ#NW1



Please consult, TOTO representative for more details.

All rights reserved by TOTO including but not limited to Improve & Change of Product Design, Specs or Availability at any time without prior notice